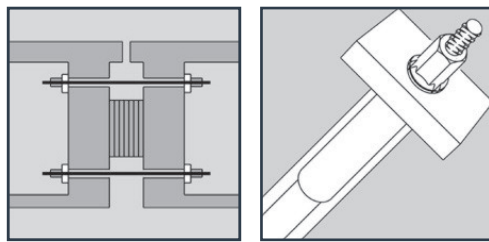


European Technical Assessment Post-Tensioning Systems

DYWIDAG SYSTEMS



**Bonded, Unbonded, and
External Post-Tensioning Kits
for Prestressing of Structures
with Bars, Diameter 17.5 to
47mm**

ETA-05/0123

27 June 2018



Austrian Institute of Construction Engineering
 Schenkenstrasse 4 | T+43 1 533 65 50
 1010 Vienna | Austria | F+43 1 533 64 23
 www.oib.or.at | mail@oib.or.at



European Technical Assessment ETA-05/0123 of 27.06.2018

General part

<p>Technical Assessment Body issuing the European Technical Assessment</p>	<p>Österreichisches Institut für Bautechnik (OIB) Austrian Institute of Construction Engineering</p>
<p>Trade name of the construction product</p>	<p>DYWIDAG Post-tensioning bar tendon system</p>
<p>Product family to which the construction product belongs</p>	<p>Bonded, unbonded, and external post-tensioning kits for prestressing of structures with bars, diameter 17.5 to 47 mm</p>
<p>Manufacturer</p>	<p>DYWIDAG-Systems International GmbH Destouchesstraße 68 80796 Munich Germany</p>
<p>Manufacturing plants</p>	<p>DYWIDAG-Systems International GmbH Max-Planck-Ring 1 40764 Langenfeld Germany</p> <p>DYWIDAG-Systems International GmbH Germanenstrasse 8 86343 Königsbrunn Germany</p>
<p>This European Technical Assessment contains</p>	<p>82 pages including Annexes 1 to 49, which form an integral part of this assessment.</p>
<p>This European Technical Assessment is issued in accordance with Regulation (EU) № 305/2011, on the basis of</p>	<p>EAD 160004-00-0301, European Assessment Document for Post-Tensioning Kits for Prestressing of Structures.</p>
<p>This European Technical Assessment replaces</p>	<p>European technical approval ETA-05/0123 with validity from 30.06.2013 to 29.06.2018.</p>

Table of contents

EUROPEAN TECHNICAL ASSESSMENT ETA-05/0123 OF 27.06.2018	1
GENERAL PART	1
TABLE OF CONTENTS	2
REMARKS	9
SPECIFIC PARTS	9
1 TECHNICAL DESCRIPTION OF THE PRODUCT	9
1.1 GENERAL	9
PT SYSTEM	10
1.2 ANCHORAGE AND COUPLING	10
1.2.1 Designation and range	10
1.2.2 Stressing anchor	10
1.2.3 Fixed anchor	10
1.2.4 Movable coupling	11
1.2.4.1 General	11
1.2.4.2 Movable coupling D	11
1.2.4.3 Movable couplings G	11
1.2.5 Fixed coupling with grout cap	11
1.3 RANGE AND DESIGNATION OF BAR TENDONS	11
1.4 FRICTION LOSSES	12
1.5 SLIP AT ANCHORAGES AND COUPLINGS	12
1.6 CENTRE AND EDGE DISTANCES, CONCRETE COVER	13
1.7 STRENGTH OF CONCRETE	13
1.8 REINFORCEMENT IN THE ANCHORAGE ZONE	14
1.9 SUPPORT OF DUCTS	14
1.10 RADIUS OF CURVATURE	14
COMPONENTS	14
1.11 PRESTRESSING STEEL BAR	14
1.11.1 Threadbar	14

1.11.2 Plain bar.....	14
1.12 ANCHORAGE AND COUPLING	15
1.12.1 General.....	15
1.12.2 Anchor plate.....	15
1.12.3 Domed anchor nut.....	15
1.12.4 Coupler	15
1.13 ADDITIONAL REINFORCEMENT	15
1.14 DUCT	16
1.14.1 Bonded bar tendon.....	16
1.14.2 Unbonded and external bar tendon.....	16
1.15 TEMPORARY CORROSION PROTECTION.....	16
1.15.1 General.....	16
1.15.2 Unbonded bar tendons with free tendon duct and external bar tendons.....	16
1.16 PERMANENT CORROSION PROTECTION	16
1.16.1 General.....	16
1.16.2 Bonded bar tendon.....	17
1.16.3 Unbonded bar tendons with free tendon duct and external bar tendons.....	17
1.16.4 Unbonded bar tendons without free tendon duct.....	18
1.16.5 Anchorage	18
1.16.6 Couplings.....	18
1.16.7 Materials for corrosion protection	18
1.17 MATERIAL SPECIFICATIONS OF THE COMPONENTS	19
2 SPECIFICATION OF THE INTENDED USES IN ACCORDANCE WITH THE APPLICABLE EUROPEAN ASSESSMENT DOCUMENT (HEREINAFTER EAD)	19
2.1 INTENDED USES	19
2.2 ASSUMPTIONS	19
2.2.1 General.....	19
2.2.2 Packaging, transport, and storage.....	19
2.2.3 Design.....	19
2.2.3.1 General	19
2.2.3.2 Fixed couplings	20
2.2.3.3 Increased losses of prestressing forces at couplings.....	20
2.2.3.4 Movable coupling.....	20
2.2.3.5 Safeguard against bursting out of the prestressing steel bar	20

2.2.3.6	Tendon in steel, masonry, and timber structures	21
2.2.3.7	Unbonded and external bar tendon in steel and timber structures	21
2.2.3.8	Bonded, unbonded, and external bar tendon in masonry structures	21
2.2.4	Installation.....	21
2.2.4.1	General	21
2.2.4.2	Tendon handing	21
2.2.4.3	Welding at anchorages	21
2.2.4.4	Installation of bonded bar tendon.....	22
2.2.4.4.1	Duct installation	22
2.2.4.4.2	Stressing anchor	22
2.2.4.4.3	Fixed anchor	22
2.2.4.5	Installation of unbonded and external bar tendon	22
2.2.4.5.1	General	22
2.2.4.5.2	Installation of prestressing steel bar	23
2.2.4.5.3	Stressing and fixed anchor	23
2.2.4.6	Coupling installation	23
2.2.4.7	Stressing and stressing records.....	23
2.2.4.7.1	Stressing	23
2.2.4.7.2	Stressing records	24
2.2.4.7.3	Stressing equipment, space requirements and safety-at-work.....	24
2.2.4.8	Grouting of bonded bar tendon	24
2.2.4.8.1	General	24
2.2.4.8.2	Grouting	25
2.2.4.8.3	Coupling.....	25
2.2.4.9	Permanent corrosion protection of unbonded bar tendon with free tendon duct and external bar tendon.....	25
2.2.4.9.1	Corrosion protection with grout.....	25
2.2.4.9.2	Corrosion protection system with corrosion protection filling material	26
2.2.4.9.3	Anchorage.....	26
2.2.4.9.4	Couplings	27
2.2.4.10	Permanent corrosion protection of unbonded bar tendon without free tendon duct.....	27
2.2.4.10.1	Corrosion protection system with corrosion protection filling material	27
2.2.4.10.2	Anchorage.....	27
2.2.4.10.3	Couplings	27
2.3	ASSUMED WORKING LIFE	27
3	PERFORMANCE OF THE PRODUCT AND REFERENCES TO THE METHODS USED FOR ITS ASSESSMENT	28
3.1	ESSENTIAL CHARACTERISTICS	28
3.2	PRODUCT PERFORMANCE	29

3.2.1	Mechanical resistance and stability	29
3.2.1.1	Resistance to static load.....	29
3.2.1.2	Resistance to fatigue	29
3.2.1.3	Load transfer to the structure.....	29
3.2.1.4	Friction coefficient.....	29
3.2.1.5	Deviation, deflection (limits) for internal bonded and unbonded bar tendon	29
3.2.1.6	Deviation, deflection (limits) for external bar tendon	29
3.2.1.7	Assessment of assembly	30
3.2.1.8	Corrosion protection	30
3.2.2	Safety in case of fire.....	30
3.2.2.1	Reaction to fire	30
3.2.3	Hygiene, health, and the environment.....	30
3.2.3.1	Content, emission and/or release of dangerous substances.....	30
3.3	ASSESSMENT METHODS	30
3.4	IDENTIFICATION.....	30
4	ASSESSMENT AND VERIFICATION OF CONSTANCY OF PERFORMANCE (HEREINAFTER AVCP) SYSTEM APPLIED, WITH REFERENCE TO ITS LEGAL BASE.....	31
4.1	SYSTEM OF ASSESSMENT AND VERIFICATION OF CONSTANCY OF PERFORMANCE.....	31
4.2	AVCP FOR CONSTRUCTION PRODUCTS FOR WHICH A EUROPEAN TECHNICAL ASSESSMENT HAS BEEN ISSUED	31
5	TECHNICAL DETAILS NECESSARY FOR THE IMPLEMENTATION OF THE AVCP SYSTEM, AS PROVIDED FOR IN THE APPLICABLE EAD	31
5.1	TASKS FOR THE MANUFACTURER	31
5.1.1	Factory production control.....	31
5.1.2	Declaration of performance	32
5.2	TASKS FOR THE NOTIFIED PRODUCT CERTIFICATION BODY	32
5.2.1	Initial inspection of the manufacturing plant and of factory production control	32
5.2.2	Continuing surveillance, assessment, and evaluation of factory production control.....	33
5.2.3	Audit-testing of samples taken by the notified product certification body at the manufacturing plant or at the manufacturer's storage facilities	33
	ANNEXES.....	34
ANNEX 1	BONDED, UNBONDED, AND EXTERNAL BAR TENDON – COMPONENTS – ANCHORAGE AND COUPLING.....	34
ANNEX 2	BONDED, UNBONDED, AND EXTERNAL BAR TENDON – OVERVIEW ON STRESSING AND FIXED ANCHORS	35

ANNEX 3	UNBONDED AND EXTERNAL BAR TENDON – OVERVIEW ON CORROSION PROTECTION SYSTEMS	36
ANNEX 4	BONDED, UNBONDED, AND EXTERNAL BAR TENDON – DOMED ANCHOR NUT 2001 – DOMED ANCHOR NUT WITH GROUT SLOTS 2099	37
ANNEX 5	BONDED, UNBONDED, AND EXTERNAL BAR TENDON – SOLID PLATE, SQUARE 2011	38
ANNEX 6	BONDED, UNBONDED, AND EXTERNAL BAR TENDON – SOLID PLATE, RECTANGULAR 2012	39
ANNEX 7	BONDED BAR TENDON – SOLID PLATE, SMALL RECTANGULAR 2076	40
ANNEX 8	BONDED BAR TENDON – QR-PLATE 2074	41
ANNEX 9	BONDED, UNBONDED, AND EXTERNAL BAR TENDON – COUPLER 3003 – COUPLER L 3303	42
ANNEX 10	BONDED, UNBONDED, AND EXTERNAL BAR TENDON – TRANSITION COUPLER 3004	43
ANNEX 11	BONDED BAR TENDON – STRESSING AND FIXED ANCHOR	44
ANNEX 12	BONDED BAR TENDON – MOVABLE AND FIXED COUPLING	45
ANNEX 13	BONDED BAR TENDON – STRESSING AND FIXED ANCHOR – QR-PLATE WITHOUT ADDITIONAL REINFORCEMENT – CENTRE AND EDGE DISTANCES	46
ANNEX 14	BONDED BAR TENDON – STRESSING AND FIXED ANCHOR – SOLID PLATE, SQUARE WITHOUT ADDITIONAL REINFORCEMENT – CENTRE AND EDGE DISTANCES	47
ANNEX 15	BONDED BAR TENDON – STRESSING AND FIXED ANCHOR – SOLID PLATE, SMALL RECTANGULAR 2076 WITHOUT ADDITIONAL REINFORCEMENT – CENTRE AND EDGE DISTANCES	48
ANNEX 16	BONDED BAR TENDON – STRESSING AND FIXED ANCHOR – QR-PLATE WITH ADDITIONAL REINFORCEMENT – CENTRE AND EDGE DISTANCES	49
ANNEX 17	BONDED BAR TENDON – STRESSING AND FIXED ANCHOR – SOLID PLATE, RECTANGULAR 2012 WITH ADDITIONAL REINFORCEMENT – CENTRE AND EDGE DISTANCES.....	50
ANNEX 18	BONDED BAR TENDON – STRESSING AND FIXED ANCHOR – SOLID PLATE, SMALL RECTANGULAR 2076 WITH ADDITIONAL REINFORCEMENT – CENTRE AND EDGE DISTANCES	51
ANNEX 19	BONDED BAR TENDON – MOVABLE COUPLING	52
ANNEX 20	BONDED BAR TENDON – FIXED COUPLING	53
ANNEX 21	UNBONDED AND EXTERNAL BAR TENDON – STRESSING AND FIXED ANCHOR	54
ANNEX 22	UNBONDED AND EXTERNAL BAR TENDON – MOVABLE COUPLING	55
ANNEX 23	UNBONDED AND EXTERNAL BAR TENDON – STRESSING AND FIXED ANCHOR – SOLID PLATE, SQUARE WITHOUT ADDITIONAL REINFORCEMENT – CENTRE AND EDGE DISTANCE	56
ANNEX 24	UNBONDED AND EXTERNAL BAR TENDON – STRESSING AND FIXED ANCHOR – SOLID PLATE, RECTANGULAR 2012 WITH ADDITIONAL REINFORCEMENT – CENTRE AND EDGE DISTANCE	57

ANNEX 25	UNBONDED AND EXTERNAL BAR TENDON – MOVABLE COUPLING	58
ANNEX 26	UNBONDED AND EXTERNAL BAR TENDON – TENDON WITH FREE TENDON DUCT – TEMPORARY CORROSION PROTECTION.....	59
ANNEX 27	UNBONDED AND EXTERNAL BAR TENDON – TENDON WITH FREE TENDON DUCT – PERMANENT CORROSION PROTECTION – GROUTING BEFORE INSTALLATION	60
ANNEX 28	UNBONDED AND EXTERNAL BAR TENDON – TENDON WITH FREE TENDON DUCT – PERMANENT CORROSION PROTECTION – GROUTING AFTER STRESSING.....	61
ANNEX 29	UNBONDED AND EXTERNAL BAR TENDON – TENDON WITH FREE TENDON DUCT – PERMANENT CORROSION PROTECTION.....	62
ANNEX 30	UNBONDED AND EXTERNAL BAR TENDON – TENDON WITH FREE TENDON DUCT – PERMANENT CORROSION PROTECTION WITH CORROSION PROTECTION FILLING MATERIAL	63
ANNEX 31	UNBONDED BAR TENDON – TENDON WITHOUT FREE TENDON DUCT – PERMANENT CORROSION PROTECTION FOR THREADBARS.....	64
ANNEX 32	UNBONDED BAR TENDON – TENDON WITHOUT FREE TENDON DUCT – PERMANENT CORROSION PROTECTION FOR PLAIN BARS.....	65
ANNEX 33	UNBONDED BAR TENDON – TENDON WITHOUT FREE TENDON DUCT – PERMANENT CORROSION PROTECTION WITH CORROSION PROTECTION FILLING MATERIAL.....	66
ANNEX 34	UNBONDED BAR TENDON – TENDON WITHOUT FREE TENDON DUCT – PERMANENT CORROSION PROTECTION WITH CORROSION PROTECTION FILLING MATERIAL.....	67
ANNEX 35	UNBONDED AND EXTERNAL BAR TENDON – TENDON WITH FREE TENDON DUCT – CORROSION PROTECTION – COUPLING.....	68
ANNEX 36	UNBONDED BAR TENDON – TENDON WITHOUT FREE TENDON DUCT – CORROSION PROTECTION – COUPLING.....	69
ANNEX 37	BONDED, UNBONDED, AND EXTERNAL BAR TENDON – ANCHORAGE – CORROSION PROTECTION.....	70
ANNEX 38	UNBONDED AND EXTERNAL BAR TENDON – MEASURES AGAINST BURSTING OUT OF PRESTRESSING STEEL BAR – EXAMPLES.....	71
ANNEX 39	BONDED, UNBONDED, AND EXTERNAL BAR TENDON – MATERIAL SPECIFICATIONS.....	72
ANNEX 40	BONDED, UNBONDED, AND EXTERNAL BAR TENDON – PRESTRESSING STEEL BARS – THREADBARS AND PLAIN BARS – SPECIFICATIONS.....	73
ANNEX 41	BONDED, UNBONDED, AND EXTERNAL BAR TENDON – PRESTRESSING STEEL BARS – THREADBARS AND PLAIN BARS – SPECIFICATIONS.....	74
ANNEX 42	BONDED, UNBONDED, AND EXTERNAL BAR TENDON – MAXIMUM PRESTRESSING AND OVERSTRESSING FORCES	75
ANNEX 43	BONDED, UNBONDED, AND EXTERNAL BAR TENDON – SLIP AT ANCHORAGES AND COUPLINGS	76

ANNEX 44	BONDED BAR TENDON – MINIMUM ELASTIC AND MINIMUM COLD BENT RADIUS OF CURVATURE	77
ANNEX 45	BONDED, UNBONDED, AND EXTERNAL BAR TENDON – CONTENTS OF THE PRESCRIBED TEST PLAN	78
ANNEX 46	BONDED, UNBONDED, AND EXTERNAL BAR TENDON – AUDIT TESTING	79
ANNEX 47	BONDED, UNBONDED, AND EXTERNAL BAR TENDON – ESSENTIAL CHARACTERISTICS FOR THE INTENDED USES OF THE PT SYSTEM	80
ANNEX 48	BONDED, UNBONDED, AND EXTERNAL BAR TENDON – REFERENCE DOCUMENTS	81
ANNEX 49	BONDED, UNBONDED, AND EXTERNAL BAR TENDON – REFERENCE DOCUMENTS	82

Remarks

Translations of the European Technical Assessment in other languages shall fully correspond to the original issued document and should be identified as such.

Communication of the European Technical Assessment, including transmission by electronic means, shall be in full. However, partial reproduction may be made with the written consent of Österreichisches Institut für Bautechnik. Any partial reproduction has to be identified as such.

Specific parts

1 Technical description of the product

1.1 General

The European Technical Assessment¹ – ETA – applies to a kit, the PT system

DYWIDAG Post-tensioning bar tendon system,

comprising the following components.

- Tendon
 - Bonded bar tendon
 - Unbonded bar tendon with free tendon duct
 - Unbonded bar tendon without free tendon duct
 - External bar tendon
- Tensile element

Tensile element is a hot rolled bar of prestressing steel, with nominal diameters and nominal tensile strengths as given in Table 1 – Prestressing steel bar. The prestressing steel bar is either a plain bar or ribs are hot rolled along the entire length of the bar, providing a continuous threaded – Threadbar.
- Anchorage and coupling

Threadbar and plain bar anchored by domed anchor nut

Stressing and fixed anchor with anchor plate as solid plate, square, solid plate, rectangular, solid plate, small rectangular, or QR-plate and with domed anchor nut

Fixed and movable coupling with coupler or transition coupler
- Additional reinforcement in the anchorage zone
- Temporary and permanent corrosion protection systems for prestressing steel bar, anchorage, and coupling

¹ ETA-05/0123 was firstly issued in 2005 as European technical approval with validity from 19.09.2005, amended in 2008 with validity from 20.10.2008, extended in 2010 with validity from 19.09.2010, amended in 2011 with validity from 14.11.2011, extended in 2013 with validity from 30.06.2013, and converted 2018 to European Technical Assessment ETA-05/0123 of 27.06.2018.

Table 1 Tensile elements

Nominal bar diameter	mm	17.5	26.5	32	36	40	47
Threadbar – E							
Designation	—	—	26 E	32 E	36 E	40 E	—
Nominal tensile strength R_m	N/mm ²	1 030					
Threadbar – WR							
Designation	—	18 WR	26 WR	32 WR	36 WR	40 WR	47 WR
Nominal tensile strength R_m	N/mm ²	1 050					
Plain bar – WS							
Designation	—	—	—	32 WS	36 WS	—	—
Nominal tensile strength R_m	N/mm ²	1 050					

NOTE 1 N/mm² = 1 MPa

PT system

1.2 Anchorage and coupling

1.2.1 Designation and range

The components of anchorage and coupling are designated by the first two digits of the nominal bar diameter in mm, followed by "E" or "WR" for threadbar or "WS" for plain bar and a number allocated to the respective component, e.g. anchor plate, nut, or coupler. An overview of the various components is given in Annex 1.

NOTE The designation for the nominal diameter of 17.5 mm is 18.

The range of available prestressing steel bars is given in Table 1. Characteristic values of maximum force of the bar tendon are listed in Annex 41.

1.2.2 Stressing anchor

The stressing anchor comprises anchor plate and domed anchor nut, see Annex 11 for bonded bar tendon and Annex 21 for unbonded and external bar tendon. Whether a domed anchor nut without grout slot or with grout slots is installed, depends on the applied corrosion protection system. The stressing anchor can also be used as a fixed anchor

At the anchorage, the tendon layout provides a straight section over a length of at least 0.3 m ahead the end of the anchor plate.

1.2.3 Fixed anchor

The fixed anchor comprises anchor plate and domed anchor nut, see Annex 11 for bonded bar tendon and Annex 21 for unbonded and external bar tendon. Whether a domed anchor nut without or with grout slots is installed depends on the applied corrosion protection system.

For a fixed anchor embedded in concrete, the domed anchor nut is tack welded perpendicularly onto the anchor plate at the manufacturing plant.

At the anchorage, the tendon layout provides a straight section over a length of at least 0.3 m ahead the end of the anchor plate.

1.2.4 Movable coupling

1.2.4.1 General

Movable coupling connects two bar tendons prior to stressing. With cold bent prestressing steel bars, the coupling is installed in a straight tendon sections, ensuring a straight length of at least 0.3 m at both sides.

1.2.4.2 Movable coupling D

Movable coupling D for bonded, unbonded, and external bar tendon connects two prestressing steel bars by means of a coupler prior to stressing. Both prestressing steel bars are stressed simultaneously, see Annex 12 and Annex 19 for bonded bar tendon, and Annex 22, Annex 25, Annex 35, and Annex 36 for unbonded and external bar tendon.

1.2.4.3 Movable couplings G

Movable coupling G for bonded bar tendon enables the direct connection of a prestressing steel bar to the stressing anchor of an already stressed but still ungrouted bar tendon, see Annex 19. The prestressing steel bars are stressed simultaneously.

1.2.5 Fixed coupling with grout cap

The fixed coupling with grout cap is for bonded bar tendon and connects a 2nd prestressing steel bar with an already stressed 1st prestressing steel bar, see Annex 20. The already stressed 1st prestressing steel bar is anchored in the same way as a stressing anchor.

With cold bent prestressing steel bars, the coupling is installed in a straight tendon sections, ensuring a straight length of at least 0.3 m at both sides.

1.3 Range and designation of bar tendons

Prestressing and overstressing forces are specified in the respective standards and regulations in force at the place of use. Annex 42 lists the maximum prestressing and overstressing forces of the bar tendon according to Eurocode 2, i.e. the maximum prestressing force applied to a bar tendon

does not exceed $P_{\max} = \min \begin{cases} 0.90 \cdot F_{p0.1} \\ 0.8 \cdot F_{pk} \end{cases}$. Overstressing with $P_{\max, o} = 0.95 \cdot F_{p0.1}$ is only permitted if the force in the prestressing jack can be measured to an accuracy of $\pm 5\%$ of the final value of the overstressing force.

Initial prestressing force, P_{m0} , immediately after stressing and anchoring does not exceed the forces as specified in Eurocode 2.

Where

$F_{p0.1}$kNCharacteristic 0.1 % proof force of the prestressing steel bar, i.e. $F_{p0.1} = f_{p0.1} \cdot S_n$, see Annex 41

F_{pk}kNCharacteristic maximum force of the prestressing steel bar, i.e. $F_{pk} = f_{pk} \cdot S_n$, see Annex 41

$f_{p0.1}$kNCharacteristic 0.1 % proof stress of the prestressing steel bar, see Annex 41

f_{pk}kNCharacteristic tensile strength of the prestressing steel bar, see Annex 41

S_n mm².....Nominal cross-sectional area of the prestressing steel bar, see Annex 40

P_{m0}kNInitial prestressing force immediately after stressing and anchoring

P_{\max}kNMaximum prestressing force

$P_{\max, o}$kNMaximum overstressing force

The designations of the bar tendons are given in Annex 42.

1.4 Friction losses

Friction losses are considered for bonded bar tendons. Unbonded and external bar tendons are straight tendons only and losses of prestressing force due to friction generally do not need to be taken into account.

For calculation of losses of prestressing forces due to friction, Coulomb's friction law applies. Calculation of friction loss is by the following equation.

$$P_x = P_0 \cdot e^{-\mu \cdot (\alpha + k \cdot x)}$$

Where

- P_xkN.....Prestressing force at a distance x from the stressing anchor along the bar tendon
- P_0kN.....Prestressing force at the distance $x = 0$ m
- μ rad^{-1}Friction coefficient, $\mu = 0.50 \text{ rad}^{-1}$ for threadbars and $\mu = 0.25 \text{ rad}^{-1}$ for plain bars in steel strip ducts
- θ radSum of the angular deviations over a distance x , irrespective of direction or sign
- k rad/mCoefficient of unintentional angular deviation, $k = 8.7 \cdot 10^{-3} \text{ rad/m}$, corresponding to a wobble coefficient of $\beta = 0.5 \text{ }^\circ/\text{m}$
- x m.....Distance along the bar tendon from the point where the prestressing force is equal to P_0

NOTE 1 $\text{rad} = 1 \text{ m/m} = 1$

If longitudinal vibrations are applied to threadbars during stressing operations, the friction coefficient μ may be decreased to a reduced friction coefficient $_{\text{red}}\mu$. The longitudinal vibrations may be applied upon attainment of the overstressing force. The reduced friction coefficient due to application of longitudinal vibrations is calculated by the following equation.

$$_{\text{red}}\mu = \mu \cdot \frac{\alpha + \beta \cdot l}{60} \leq \mu$$

Where

- $_{\text{red}}\mu$ rad^{-1}Reduced friction coefficient
- μ rad^{-1}Friction coefficient, $\mu = 0.50 \text{ rad}^{-1}$ for threadbars in steel strip ducts
- α $^\circ$Sum of the angular displacements over the bar tendon length, irrespective of direction or sign
- β $^\circ/\text{m}$Wobble coefficient, $\beta = 0.5 \text{ }^\circ/\text{m}$
- l m.....Tendon length

NOTE 1 $\text{rad} = 1 \text{ m/m} = 1$

If longitudinal vibrations are applied to plain bars in steel strip ducts and the tendon length does not exceed 30 m, the reduced friction coefficient is $_{\text{red}}\mu = 0.15 \text{ rad}^{-1}$.

Friction losses in anchorages are low and do not need to be taken into consideration in design and execution.

1.5 Slip at anchorages and couplings

Slip at anchorages and couplings is considered in design of the structure. Annex 43 specifies the slip values, taken into account for determining prestressing force and tendon elongation. After three cycles, comprising stressing and transfer of prestressing force to anchorage, reduced slip

can be applied at the stressing anchor, see Annex 43. At each cycle, the anchor nut is firmly tightened prior to releasing the prestressing jack.

1.6 Centre and edge distances, concrete cover

Centre and edge distances of the anchorage given in Annex 13, Annex 14, Annex 15, Annex 16, Annex 17, Annex 18, Annex 23, and Annex 24 for an unbonded and external bar tendon are adopted. They depend on the actual mean cylinder compressive strength, $f_{cm,0,cyl}$, or cube compressive strength, $f_{cm,0,cube}$, of concrete at time of stressing.

Centre and edge distances of the anchorage given in the Annexes may be reduced in one direction by up to 15 %, but are not smaller than the dimensions of the anchor plate and placing of additional reinforcement is still possible. In case of a reduction of the distances in one direction, the centre and edge distances in the perpendicular direction are increased by the same percentage, in order to keep the same concrete area in the anchorage zone.

Concrete cover of the bar tendon is in no case less than 20 mm and not smaller than concrete cover of reinforcement in the same cross section. Concrete cover of the anchorage should be at least 20 mm. The respective standards and regulations on concrete cover in force at the place of use are considered.

1.7 Strength of concrete

Concrete according to EN 206² is used.

At the time of transmission of full prestressing force to the structural concrete, the actual mean cylinder compressive strength of concrete, $f_{cm,0,cyl}$, or cube compressive strength of concrete, $f_{cm,0,cube}$, see Table 2, is at least as given in Annex 13, Annex 14, Annex 15, Annex 16, Annex 17, Annex 18, Annex 23, and Annex 24. The actual mean compressive strength, $f_{cm,0,cube}$ or $f_{cm,0,cyl}$, is verified by means of at least three specimens, cylinder with diameter of 150 mm and height of 300 mm or cube of size 150 mm, which are cured under the same conditions as the structure.

Table 2 Mean concrete compressive strength, $f_{cm,0}$, at the time of stressing

$f_{cm,0,cyl}$	$f_{cm,0,cube}$
N/mm ²	N/mm ²
20	25
30	37
40	50

For partial prestressing with 30 % of the full prestressing force, the actual mean concrete compressive strength is at least $0.5 \cdot f_{cm,0,cube}$ or $0.5 \cdot f_{cm,0,cyl}$. Intermediate values may be interpolated linearly according to Eurocode 2.

² Standards and other documents referred to in the European Technical Assessment are listed in Annex 48 and Annex 49.

1.8 Reinforcement in the anchorage zone

Steel grade and dimensions of additional reinforcement specified in Annex 16, Annex 17, Annex 18, and Annex 24 are conformed to. The position of the additional reinforcement, centric to the tendon axis, is ensured by appropriate means.

If required for a specific project design, the reinforcement given in Annex 16, Annex 17, Annex 18, and Annex 24 may be modified in accordance with the respective regulations in force at the place of use as well as with the relevant approval of the local authority and of the ETA holder to provide equivalent performance.

1.9 Support of ducts

The ducts are secured in their positions. Spacing of duct support is up to 2.5 m.

1.10 Radius of curvature

The minimum elastic radius of curvature, $\min R_{el}$, not requiring cold bending, as well as the minimum cold bent radius of curvature, $\min R_{kv}$, are listed in Annex 44. Thereby, the maximum prestressing forces given in Annex 42 are applicable.

The radius of curvature, R , may be less than the minimum elastic radius of curvature, $\min R_{el}$, see Annex 44. In this case, the prestressing steel bars are cold bent. Cold bending may also be required for larger radius, if the prestressing steel bar is not adapting itself to the intended curvatures, e.g. for very short bar tendon or horizontal tendon layout. Cold bent radius of curvature, R_{kv} , less than the minimum cold bent radius of curvature, $\min R_{kv}$, see Annex 44, may only be applied if their serviceability has been verified specifically.

If the prestressing steel bar is cold bent, the working modulus A to determine tendon elongation is applied.

- $A = 195\,000 \text{ N/mm}^2$ where $500 \cdot d \leq R_{kv}$
- $A = 185\,000 \text{ N/mm}^2$ where $200 \cdot d \leq R_{kv} \leq 500 \cdot d$ for threadbar
- $A = 185\,000 \text{ N/mm}^2$ where $150 \cdot d \leq R_{kv} \leq 500 \cdot d$ for plain bar

For cold bending, only equipment that produces a uniform curvature and does not damage the prestressing steel bar, e.g. by friction marks etc., is used.

Components

1.11 Prestressing steel bar

The characteristics of the prestressing steel bar are given in Annex 40 and Annex 41.

The prestressing steel bar is either a threadbar or a plain bar, with circular cross section and hot rolled of prestressing steel Y1030H or Y1050H according to prEN 10138-4.

In the course of preparing the European Technical Assessment, no characteristic has been assessed for the prestressing steel bar. In execution, a suitable prestressing steel bar that conforms to Annex 40 and Annex 41 and is according to the standards and regulations in force at the place of use is taken.

1.11.1 Threadbar

Nominal diameters of threadbar are 17.5, 26.5, 32, 36, 40 and 47 mm. The threadbar features continuous hot rolled ribs, providing a right-handed thread along the entire length of the prestressing steel bar.

1.11.2 Plain bar

Nominal diameters of the plain bar are 32 and 36 mm. At both ends, the plain bar is provided with a special cold rolled thread.

1.12 Anchorage and coupling

1.12.1 General

Specifications of anchorage components are given in the Annexes and the technical file³ of the European Technical Assessment. Therein the components' dimensions, materials, and material identification data with tolerances are specified.

1.12.2 Anchor plate

The anchor plate is made of steel. Following anchor plates are available.

- Solid plate, square according to Annex 5 for bonded, unbonded and external bar tendon
- Solid plate, rectangular according to Annex 6 for bonded, unbonded and external bar tendon
- Solid plate, small rectangular according to Annex 7 for bonded bar tendon
- QR-plate according to Annex 8 for bonded bar tendon

All anchor plates provide a conical bore.

For unbonded and external bar tendon a connection tube is welded watertight on the anchor plate.

1.12.3 Domed anchor nut

The domed anchor nut is made of steel. The available domed anchor nuts are, see Annex 4.

- Domed anchor nut with grout slots
- Domed anchor nut without grout slot

Whether a domed anchor nut without grout slot or with grout slots is installed depends on the applied corrosion protection system. For stressing anchor in bonded bar tendon, in general the domed anchor nut with grout slots is used, to facilitate injection and ventilation through the grout slots. For a fixed anchor embedded in concrete, the domed anchor nut is tack welded perpendicularly onto the anchor plate at the manufacturing plant.

1.12.4 Coupler

The couplers are made of steel. Following couplers are available.

- Coupler according to Annex 9
- Coupler L according to Annex 9, to joint two threadbars with angular cut ends
- Transition coupler according to Annex 10 enables jointing of threadbar with plain bar of the same nominal diameter.

1.13 Additional reinforcement

Steel grade, ribbed reinforcing steel, $R_e \geq 500 \text{ N/mm}^2$, and dimensions, see Annex 16, Annex 17, and Annex 18 for bonded bar tendon, and Annex 24 for unbonded and external bar tendon, of the additional reinforcement are adopted.

The position of the additional reinforcement, centric to the tendon axis, is ensured by appropriate means.

³ The technical file of the European Technical Assessment is deposited at Österreichisches Institut für Bautechnik.

1.14 Duct

1.14.1 Bonded bar tendon

Steel strip sheath in accordance with EN 523 is used. Alternatively, corrugated plastic ducts may be installed for straight bar tendons, if permitted at the place of use.

In general, the prestressing steel bars are provided with ducts prior to installation. Steel strip sheath are coupled with duct sleeves C in accordance with EN 523. Around the coupling, a steel strip coupler tube in accordance with EN 523 or a plain steel tube is used.

1.14.2 Unbonded and external bar tendon

The dimensions given in Annex 26, Annex 27, Annex 28, Annex 29, Annex 30, Annex 31, Annex 32, Annex 33, and Annex 34 are standard dimensions. The minimum nominal wall thickness of PE-tubes is 2 mm and of steel tubes is 2 mm. For mechanical protection of corrosion protection measures according to Annex 29, Annex 31, and Annex 32, minimum nominal wall thickness of PE-tubes is 1 mm. Steel tubes and PE-tubes conform to Annex 39. To compensate tolerances, the wall thicknesses of the tubes may be increased.

If steel tubes are used for permanent corrosion protection of bar tendons that are grouted prior to installation, see Annex 27, only steel tubes with a length of maximum 12 m and without weld joints are used. On the inner and outer surface, the steel tubes are provided with corrosion protection.

1.15 Temporary corrosion protection

1.15.1 General

The bonded bar tendon is grouted and thereby, in general, provided with permanent corrosion protection.

Unbonded bar tendon with free tendon duct and external bar tendon are provided either with a permanent or temporary corrosion protection. Unbonded bar tendon without free tendon duct is, similar to bonded bar tendon, provided with permanent corrosion protection only.

For bar tendons with temporary corrosion protection, the exposed steel parts other than prestressing steel do not need to be protected, if not subjected to particular corrosive environment or if not required for aesthetic reasons.

1.15.2 Unbonded bar tendons with free tendon duct and external bar tendons

The prestressing steel bar is provided with corrosion protection coating in accordance with EN ISO 12944-5, with a thickness of at least 200 μm , and is installed within a smooth PE-tube according to Annex 26. At the anchorage, the void between connection tube and prestressing steel bar is filled with corrosion protection filling material and insertion and overlapping depths are observed, see Annex 26.

For unbonded bar tendons with free tendon duct, the bar tendon duct always is dry. This is attained by appropriate measures.

1.16 Permanent corrosion protection

1.16.1 General

For bar tendon with permanent corrosion protection, corrosion protection of anchorages, steel tubes as well as all other exposed steel parts is attained as follows.

- All exposed or outside surfaces of steel parts, e.g. connection tubes, anchorage components and caps, insufficiently covered with concrete are protected against corrosion by one of the protection systems in accordance with EN ISO 12944-5. Surfaces are prepared in accordance with EN ISO 12944-4. For execution of the corrosion protection, EN ISO 12944-7 is observed.

- For PE-tubes, corrosion protection measures are not required.

End anchorages and couplings are completely provided with corrosion protection. All joints and connections are carefully sealed with the prescribed material. The given insertion and overlapping depths are observed, see Annex 11, Annex 26, Annex 27, Annex 28, Annex 29, Annex 30, Annex 31, Annex 32, Annex 33, Annex 34, and Annex 35.

Corrosion protection filling material is in general injected in the voids of ducts, anchorages, and couplings. Alternatively, the corrosion protection filling material may also be applied as corrosion protection tape that comprises a flexible carrier, coated with corrosion protection filling material. The corrosion protection tape is wrapped wrinkle free with overlap on prestressing steel bar, anchor nut, and coupling. After wrapping, the tape is smoothed to ensure a tight and continuous corrosion protection layer.

1.16.2 Bonded bar tendon

A grout cap with port for grouting or venting is attached at the stressing anchor with sealing ring and hex nut. The bonded bar tendon is grouted from grout cap at stressing anchor to end of the duct at fixed anchor. Thereby permanent corrosion protection, continuously along the full tendon length is established. Directly behind and within the fixed anchor embedded in concrete, prestressing steel bar and anchorage components are protected by the structural concrete, see Annex 11. The coupling placed in a coupler tube is grouted together with the duct in one operation, see Annex 12, Annex 19, and Annex 20.

1.16.3 Unbonded bar tendons with free tendon duct and external bar tendons

Three corrosion protection systems are available.

- Corrosion protection system with grout

The prestressing steel bar is sheathed with a PE-tube or steel tube and centred with spacers at a distance of ≤ 1 m. The gap between prestressing steel bar and PE-tube is grouted in accordance with EN 446. Thickness of grout is at least 5 mm. Grouting can be performed prior to tendon installation or after stressing, see Annex 27 and Annex 28.

The length of a grouted section with PE-tubes does not exceed 50 m. For bar tendons with a length exceeding 50 m, additional grouting inlets are installed.

Steel tubes with a length of maximum 12 m and without weld joints are used. On the inner and outer surface, the steel tubes are provided with corrosion protection.

- Corrosion protection system with corrosion protection filling material

A smooth PE-tube with a nominal wall thickness of $t_{\text{nom}} \geq 2$ mm is slipped over the prestressing steel bar. Spacers with a distance of maximum 1 m along the prestressing steel bar ensure a cover of corrosion protection filling material of at least 5 mm. The corrosion protection filling material is injected into the void between prestressing steel bar and PE-tube through the inlet of the cap, see Annex 30.

- Corrosion protection system according to Annex 29

The corrosion protection is applied according to defined procedures, in line with the standards and regulations in force at the place of use.

For unbonded bar tendons with free tendon duct, the bar tendon duct always is dry. This is attained by appropriate measures.

1.16.4 Unbonded bar tendons without free tendon duct

Two corrosion protection systems are available.

- Corrosion protection system with corrosion protection filling material, see Annex 33 and Annex 34

A smooth PE-tube with a nominal wall thickness of $t_{\text{nom}} \geq 2$ mm is slipped over the prestressing steel bar. Spacers with a distance of maximum 1 m along the prestressing steel bar ensure a cover of corrosion protection filling material of at least 5 mm. The corrosion protection filling material is injected into the void between prestressing steel bar and PE-tube through the inlet of the cap.

- Corrosion protection system according to Annex 31 and Annex 32

The corrosion protection is applied according to defined procedures, in line with the standards and regulations in force at the place of use.

Directly behind and within the fixed anchor embedded in concrete, the prestressing steel bar is protected by the structural concrete.

1.16.5 Anchorage

All anchor plates including connection tubes, if not sufficiently covered with concrete, are protected on their exposed surfaces according to Clause 1.16.1.

The void between connection tube and prestressing steel bar is filled with corrosion protection filling material. To ensure correct filling, in case of accessible fixed anchors the corrosion protection filling material penetrates through the domed anchor nut during threading on the anchorage and in case of stressing anchor after stressing. Otherwise additional corrosion protection filling material is injected.

NOTE With a bar tendon grouted after stressing or injected with corrosion protection filling material, the void between connection tube and prestressing steel bar is injected together with the duct.

If not already provided with corrosion protection during grouting or injecting, the domed anchor nut is protected against corrosion with a cap, filled with corrosion protection filling material or grout, see Annex 37.

Following caps are available.

- PE-cap, for anchorage subjected to only low mechanical stress or without mechanical stress
- Steel cap, for high mechanical stress, thickness $t \geq 4$ mm or $t \geq 3$ mm, are deep-drawn or similar cold formed.

PE-cap and steel cap can be used as injection caps.

1.16.6 Couplings

The coupling is sheathed with a coupler tube, see Annex 19, Annex 20, Annex 22, Annex 25, Annex 35, and Annex 36. The void is injected with grout in accordance with EN 446 or a corrosion protection filling material simultaneously with the duct or individually for each coupling. For grouting and filling operations inlets and vents are installed if required.

1.16.7 Materials for corrosion protection

In the course of preparing the European Technical Assessment, no characteristic has been assessed for components and materials of the corrosion protection system. In execution, all components and materials are selected according to the standards and regulations in force at the place of use.

1.17 Material specifications of the components

Material specifications of the components are given in Annex 39.

2 Specification of the intended uses in accordance with the applicable European Assessment Document (hereinafter EAD)

2.1 Intended uses

The PT system DYWIDAG Post-tensioning bar tendon system is intended to be used for the prestressing of structures. The specific intended uses are listed in Table 3.

Table 3 Intended uses

Line №	Use category
Use category according to tendon configuration and material of structure	
1	Internal bonded tendon for concrete and composite structures
2	Internal unbonded tendon for concrete and composite structures
3	External tendon for concrete and composite structures with a tendon path situated outside the cross section of the structure or member but inside its envelope

2.2 Assumptions

2.2.1 General

Concerning product packaging, transport, storage, maintenance, replacement, and repair it is the responsibility of the manufacturer to undertake the appropriate measures and to advise his clients on transport, storage, maintenance, replacement, and repair of the product as he considers necessary.

2.2.2 Packaging, transport, and storage

Advice on packaging, transport, and storage includes.

- Temporary protection of prestressing steel bars and components in order to prevent corrosion during transportation from the production site to the job site
- Transportation, storage, and handling of the prestressing steel bars and components in a manner as to avoid damage by mechanical or chemical impact
- Protection of prestressing steel bars and components from moisture
- Shielding of prestressing steel bars where welding operations are performed

2.2.3 Design

2.2.3.1 General

Advice on design includes the following items.

Design of the structure permits correct installation and stressing of bar tendons and correct application of the corrosion protection, in particular grouting and filling with corrosion protection filling material.

Design and reinforcement of the anchorage zone permits correct placing and compacting of concrete.

Unbonded and external bar tendons are with straight tendon paths only.

Diameters of couplers are larger than internal diameters of ducts at anchorages.

Verification of transfer of prestressing forces to structural concrete is not required if concrete strength at time of stressing, centre spacing and edge distance of bar tendons, as well as grade and dimensions of additional reinforcement, see Annex 13, Annex 14, Annex 15, Annex 16, Annex 17, Annex 18, Annex 23, and Annex 24 are conformed to. The forces outside the area of the additional reinforcement are verified and, if necessary, covered by appropriate reinforcement. Reinforcement of the structure is not employed as additional reinforcement. Reinforcement exceeding the required reinforcement of the structure may be used as additional reinforcement if appropriate placing is possible.

Centre spacing and edge distance of anchorages given in Annex 13, Annex 14, Annex 15, Annex 16, Annex 17, Annex 18, Annex 23, and Annex 24 may be reduced in one direction by up to 15 %, but are not smaller than the outside dimensions of the anchor plates and placing of additional reinforcement is still possible. In case of a reduction of the spacing in one direction, centre spacing and edge distance in the perpendicular direction are increased by the same percentage.

If required for a specific project design, the reinforcement given in Annex 16, Annex 17, Annex 18, and Annex 24 may be modified in accordance with the respective regulations in force at the place of use as well as with the relevant approval of the local authority and of the ETA holder to provide equivalent performance.

2.2.3.2 Fixed couplings

The fixed coupling is for a bonded bar tendon only. Under all possible load combinations, the prestressing force at the 2nd construction stage is at no time higher than at the 1st construction stage, neither during construction nor in the final state.

2.2.3.3 Increased losses of prestressing forces at couplings

For verification of crack width limitation and for verification of stress range, increased losses of prestressing force at the fixed coupling due to creep and shrinkage of the concrete are considered. In the areas of the fixed coupling, the determined loss of prestressing force of bar tendon without influence of coupling is multiplied by the factor 1.5.

NOTE For movable coupling, increased losses of prestressing forces do not need to be taken into consideration.

2.2.3.4 Movable coupling

The length of the coupler tube and its position relative to the coupling permit an unimpeded movement of the coupler in the coupler tube along a length of $\max \begin{cases} 1.2 \cdot \Delta L \\ \Delta L + 40 \text{ mm} \end{cases}$, where ΔL in mm as the symbol for the expected displacement, left and right, of the coupler during stressing, see Annex 19 and Annex 25.

2.2.3.5 Safeguard against bursting out of the prestressing steel bar

Prevention of bursting out of the prestressing steel bar in case of a bar failure of unbonded and external bar tendons is ensured by appropriate measures, see examples of Annex 38. The safeguard devices are designed based on the expected impact force or energy.

2.2.3.6 Tendon in steel, masonry, and timber structures

Post-tensioning kits are primarily used in structures made of concrete. They can, however, be used with other structural materials, i.e. in steel, masonry, and timber structures. However, there is no particular assessment in EAD 160004-00-0301 for these applications.

2.2.3.7 Unbonded and external bar tendon in steel and timber structures

Load transfer of stressing force from the anchorage to the steel or timber structure is via steel member, designed according to Eurocode 3.

The steel member has dimensions as to permit a force of $1.1 \cdot F_{pk}$ being transferred into the steel or timber structure. The verification is according to Eurocode 3 or Eurocode 5 respectively, as well as to the standards and regulations in force at the place of use.

2.2.3.8 Bonded, unbonded, and external bar tendon in masonry structures

Load transfer of stressing force from the anchorage to the masonry structure is via concrete or steel member, designed according to the European Technical Assessment, especially according to the Clauses 1.6, 1.7, and 1.8, or Eurocode 3 respectively.

The concrete or steel member has dimensions as to permit a force of $1.1 \cdot F_{pk}$ being transferred into the masonry. The verification is according to Eurocode 6 as well as to the respective standards and regulations in force at the place of use.

2.2.4 Installation

2.2.4.1 General

It is assumed that the product will be installed according to the manufacturer's instructions or – in absence of such instructions – according to the usual practice of the building professionals.

Assembly and installation of bar tendons is only carried out by qualified PT specialist companies with the required resources and experience in the use of bar post-tensioning systems, see CWA 14646. The company's PT site manager has a certificate, stating that she or he has been trained by the ETA holder and that she or he possesses the necessary qualifications and experience with the "DYWIDAG Post-tensioning bar tendon system".

2.2.4.2 Tendon handling

During installation, careful handling of bar tendons is ensured.

- Bonded bar tendon and bar tendon without free tendon duct are installed prior to concreting.
- Tendon with free tendon duct and external bar tendon are usually installed after placing of concrete.

Before concreting, a final examination of the installed bar tendons is performed. Damages to ducts are repaired immediately or reported to the responsible person.

If surface water or dirt can enter at the anchorage prior to grouting, a protective cap, provided with a sealing ring is fastened onto the anchorage with screws, see Annex 37.

2.2.4.3 Welding at anchorages

The domed anchor nut may be tack welded onto the anchor plate only at the manufacturing plant.

After installation of the bar tendon, no further welding operations are performed at anchorages and immediate to the bar tendon.

2.2.4.4 Installation of bonded bar tendon

2.2.4.4.1 Duct installation

In general, the prestressing steel bars are provided with ducts prior to installation. bar tendons are installed with high accuracy on supports, see Clause 1.9.

The sheathing consists of ducts with duct sleeves C. On-site assembling considers the following items.

- All joints of the connecting elements, e.g. retaining nuts, duct sleeves and ducts, are sealed using a chloride-free adhesive tape.
- In fastening the ducts, avoid damage by compression.
- The vent and grout connections are installed tension proof.
- The sheathing of the couplings is secured in its position as to avoid unintentional displacement.
- If confusion is likely, the grout hoses are clearly marked, e.g. by using number plates.
- Prior to concrete placing, the sheathing is checked for damages.

2.2.4.4.2 Stressing anchor

The stressing anchor comprises anchor plate and in general domed anchor nut with grout slots, see Annex 11. The individual components of the stressing anchor are delivered to the construction site and assembled on the prestressing steel bar.

The stressing anchor can also be used as a fixed anchor. In that case, a domed anchor nut without grout slot or with grout slots can be used.

On-site assembly comprises the following steps.

- The anchor plate, i.e. solid plate, square, solid plate, rectangular, solid plate, small rectangular, or QR-plate, is fastened onto the formwork on site.
- The retaining nut made of plastic is screwed onto the prestressing steel bar. The anchor plate, is fixed onto the washer face of the retaining nut, clamped with the domed anchor nut and aligned perpendicular to the anchor plate. At strengthening or repair of an existing structure, where the anchor plate is placed on the surface of the existing structure, the retaining nut can be used as a pluggable solution.
- The domed anchor nut is fastened tightly, thereby shearing off of the thread of the retaining nut is avoided.

2.2.4.4.3 Fixed anchor

On-site assembly comprises the following steps, see Annex 11.

- The duct sleeve B is threaded onto the prestressing steel bar, into the duct sleeve C, and sealed with a chloride-free adhesive tape.
- The fixed anchor, comprising anchor plate and domed anchor nut, tack welded perpendicularly onto the anchor plate, is threaded onto the prestressing steel bar. The fixed anchor is firmly secured in its position as to avoid unfastening.

2.2.4.5 Installation of unbonded and external bar tendon

2.2.4.5.1 General

For a bar tendon with free tendon duct and an external bar tendon, the prestressing steel bar is usually provided with one anchorage prior to installation. The other anchorage is installed on the structure.

For a bar tendon without free tendon duct, both anchorages are usually installed on the prestressing steel bar prior to installation.

2.2.4.5.2 Installation of prestressing steel bar

Careful handling is required to avoid damage of the applied corrosion protection. For unbonded bar tendon with free tendon duct the prestressing steel bar with applied corrosion protection is lifted for insertion into the structure, in order to prevent the tube from rubbing on the concrete edge at the beginning of the tendon duct. If required, an auxiliary insertion device is applied. Corrosion protected steel tubes are inserted, protected by a PE-tube, which is subsequently withdrawn.

2.2.4.5.3 Stressing and fixed anchor

On-site assembly comprises the following steps.

- The bearing surface of the anchor plate is perpendicular to the tendon axis. If required, a compensating layer is applied.
- During installation, corrosion protection filling material is applied at anchor plate and connection tube.
- Corrosion protection is applied according to the Clauses 2.2.4.9.3 and 2.2.4.10.2.

For bar tendons without free tendon duct, anchor plates without or with connection tubes are used at the fixed anchors. Within an embedded fixed anchor, the domed anchor nut can be tack welded perpendicularly onto the anchor plate.

2.2.4.6 Coupling installation

The coupling is shown in Annex 19, Annex 20, Annex 25, Annex 35, and Annex 36.

On-site assembling comprises the following steps.

- Prior to installation, the threadbar or the thread of the plain bar is marked to enable control of engagement length of the prestressing steel bar in the coupler.
- If the coupling is secured by an adhesive, installation is performed once the adhesive is sufficiently set and hardened.
- The correct position of the coupler in the coupler tube with regard to direction and amount of displacement during stressing is checked prior to final assembly of the coupler tube.
- The coupler tube at the coupler is sealed with a chloride-free adhesive tape.
- Corrosion protection is applied according to the Clauses 2.2.4.8.3, 2.2.4.9.4, and 2.2.4.10.3.

2.2.4.7 Stressing and stressing records

2.2.4.7.1 Stressing

Upon attainment of the required mean cylinder compressive strength $f_{cm, 0, cyl}$ or cube compressive strength $f_{cm, 0, cube}$ of concrete in the anchorage zone, the maximum prestressing force may be applied, see the Annex 42.

For partial prestressing with 30 % of the full prestressing force, the actual mean value of the concrete compressive strength is at least $0.5 \cdot f_{cm, 0, cyl}$ or $0.5 \cdot f_{cm, 0, cube}$. Intermediate values may be interpolated linearly according to Eurocode 2.

Stressing comprises the following steps.

- The pull rod coupler is threaded halfway onto the prestressing steel bar.

- A hydraulic jack is positioned, resting on the anchor plate and connected to the prestressing steel bar.
- The prestressing steel bar is stressed.
- During stressing, the domed anchor nut is continuously tightened. The revolutions of the nut are counted, whereof the elongation can be determined. The force is monitored using manometer readings. The difference in length of the bar protrusion before and after stressing is determined as well.
- The measurement results are recorded in the stressing record.
- For grouted bar tendons with steel tubes and with free tendon duct, the prestressing force is firstly increased to the maximum overstressing force and subsequently completely relaxed. Then the final prestressing force is applied.
- If longitudinal vibrations are applied, they are applied after overstressing force is attained, e.g. by strokes onto the front face of the prestressing steel bar.
- Until grouting, the prestressing force, if required, can be checked and corrected at any time.
- Straight bar tendons are stressed from one end. For curved bar tendons, stressing from both ends can be advisable in particular to avoid higher losses of prestressing forces due to friction.

The thread of the retaining nut is deformed during stressing. The domed anchor nut features grout slots to permit penetration of grout from cap into duct or out of duct into cap during grouting.

Re-stressing of the bar tendons prior to final cutting of threadbar protrusions or grouting is permitted.

2.2.4.7.2 Stressing records

All stressing operations are recorded for each bar tendon. In general, the required prestressing force is applied. The elongation is measured and compared with the calculated value.

2.2.4.7.3 Stressing equipment, space requirements and safety-at-work

For stressing, hydraulic jacks are used. Information about the stressing equipment has been submitted to Österreichisches Institut für Bautechnik.

To stress the bar tendons, clearance of approximately 1 m directly behind the anchorage is ensured. The ETA holder keeps available more detailed information on the prestressing jacks used and the required space for handling and stressing.

The safety-at-work and health protection regulations shall be complied with.

2.2.4.8 Grouting of bonded bar tendon

2.2.4.8.1 General

Grout according to EN 447, special grout according to EAD 160027-00-0301, or ready-mixed grout with an adequate composition according to standards and regulations in force at the place of use is applied.

Grout establishes both, bond between prestressing steel bar and structure and corrosion protection of prestressing steel bar and anchorage.

2.2.4.8.2 Grouting

Following stressing, the grout is injected into the void between prestressing steel bar and duct. For the grouting procedure, EN 446 applies. To ensure correct filling the voids, the following items are considered in addition to EN 446.

- For bar tendon lengths exceeding 50 m, additional grouting inlets are installed.
- For tendon paths with distinct high points, special post-grouting procedures are performed to avoid voids in the hardened grout. The design of the structure already considers the required measures.
- Only mixing and grouting equipment as permitted by the ETA holder is used.
- Grouting speed is between 5 and 15 m/min.
- All vents and grouting inlets are sealed immediately after grouting to prevent escaping of grout from the duct. To ensure the duct is correctly filled up to the domed anchor nut at the stressing anchor as well as at the fixed anchor not embedded in concrete, grout penetrates through the grout slots of the domed anchor nut. Only then the vents are closed, e.g. with plugs.
- Obstructed, ungrouted ducts are immediately reported to the responsible PT site manager.
- All grouting operations are recorded in detail in an injection data sheet.

2.2.4.8.3 Coupling

The coupling is sheathed with a coupler tube and at both end with transition pieces or end piece made of PE or steel. The joints between tube and transition pieces or end piece are sealed with heat-shrinking sleeve or chloride-free adhesive tape, see Annex 19 and Annex 20. Inlets and vents are installed where required.

The movable coupling is grouted together with the duct in one operation.

With the fixed coupling, a toroidal sealing ring is inserted between grout cap and coupler tube end piece and tightened with a flat hex nut. The prestressing steel bar at the toroidal sealing ring, the flat hex nut, and the grout cap, see Annex 20, is provided with corrosion protection filling material that does not affect the toroidal sealing ring.

2.2.4.9 Permanent corrosion protection of unbonded bar tendon with free tendon duct and external bar tendon

2.2.4.9.1 Corrosion protection with grout

The prestressing steel bar is sheathed with a PE-tube or steel tube and centred using spacers at a distance of ≤ 1 m, see Annex 27 and Annex 28. The gap between prestressing steel bar and PE-tube or steel tube is injected with grout according to Clause 2.2.4.8. Cover of grout on the prestressing steel bar is ≥ 5 mm. Grouting can be performed

- prior to tendon installation with threadbar, see Annex 27 or
- after stressing with plain bar and threadbar, see Annex 28.

For grouting prior to installation, see Annex 27, duct sleeves B are installed at both ends of the sheathing. The steel tube is without weld joints and the length does not exceed 12 m. The internal and external surfaces of the steel tube are provided with corrosion protection coating.

The sheathed prestressing steel bar is supported in a slightly inclined position, vibration-free and shielded from direct sunlight until the cement grout has sufficiently set and hardened. The grout is injected through the lower duct sleeve.

After grouting, duct sleeve B is cut and the protruding prestressing steel bar is carefully cleaned from grout.

For grouting after stressing, see Annex 28, a domed anchor nut with grout slots is used. Grout is injected, as for bonded bar tendons according to Clause 2.2.4.8.2, through the grout slots of the domed anchor nut using a grout cap. Post-grouting is usually required, particularly if the inclination of the bar tendon is greater than 30 °.

The length of a grouted section with PE-tube does not exceed 50 m. For bar tendon with a length of more than 50 m, additional grouting inlets are installed. The steel tube is without weld joints and the length does not exceed 12 m. The internal and external surfaces of the steel tube are provided with corrosion protection coating.

Obstructed bar tendon that cannot be completely grouted, is immediately reported to the responsible PT site manager.

2.2.4.9.2 Corrosion protection system with corrosion protection filling material

Corrosion protection is attained by filling the void between prestressing steel bar and PE-tube with corrosion protection filling material, see Annex 30.

A smooth PE-tube according to EN 12201-1 with a nominal wall thickness of $t_{nom} \geq 2$ mm is slipped over the prestressing steel bar. Spacers with a distance of ≤ 1 m along the prestressing steel bar ensure a cover of corrosion protection filling material on the prestressing steel bar of ≥ 5 mm.

The corrosion protection filling material is injected into the void between prestressing steel bar and PE-tube through the inlet at the cap until it escapes through the vent hoses or at the vents of the anchorage. To ensure complete filling of the bar tendon it is verified that the corrosion protection filling material escapes through all vents and, if accessible, penetrates through the anchor nut. Viscosity of the corrosion protection filling material is checked after it has passed through the bar tendon.

Immediately after finalising the filling procedure, all vents and inlets are properly sealed to prevent loss of corrosion protection filling material and prevent ingress of water.

All filling operations are recorded in detail.

Obstructed bar tendon that cannot be completely filled, is immediately reported to the responsible PT site manager.

2.2.4.9.3 Anchorage

All anchor plates including connection tubes, if not sufficiently covered with concrete, are coated on their exposed surfaces, see Clause 1.16.1. For temporary corrosion protection, this may only be required for aesthetic reasons.

The void between connection tube and prestressing steel bar is filled with corrosion protection filling material.

For filling the gap between prestressing steel bar and connection tube, the connection tube is filled with corrosion protection filling material prior to slipping on the anchorage. To ensure correct filling, in case of accessible fixed anchors the corrosion protection filling material penetrates through the domed anchor nut during threading on the anchorage and in case of stressing anchor after stressing. Otherwise additional corrosion protection filling material is injected.

In a grouted bar tendon and a bar tendon with corrosion protection filling material, the anchorage is filled together with the duct in one operation.

Prestressing steel bar and domed anchor nut are protected against corrosion with caps, filled with corrosion protection filling material or grout, see Annex 28, Annex 30, and Annex 37.

Alternatively, the corrosion protection filling material may also be applied as corrosion protection tape that comprises a flexible carrier, coated with corrosion protection filling material, see Clause 1.16.1.

Following caps are available.

- Grout cap, for grouting after stressing and injecting corrosion protection filling material, see Annex 28 and Annex 30
- PE cap, for an application without or with only low mechanical stress, see Annex 37
- Steel cap, for an application with high mechanical stress, with wall thickness $t \geq 4$ mm or $t \geq 3$ mm for deep-drawn or similar cold formed caps, see Annex 37

PE cap and steel cap according to Annex 37 can be used as injection caps for grouting or injecting corrosion protection filling material.

2.2.4.9.4 Couplings

The coupling is sheathed with a coupler tube and at both ends with transition pieces made of PE or steel, with a wall thickness $t \geq 2$ mm, see Annex 35. The joints between tube and transition pieces are sealed with heat-shrinking sleeve or chloride-free adhesive tape.

Grout or corrosion protection filling material is injected into the coupling. For grouting or injecting corrosion protection filling material, inlets and vents are installed where required.

2.2.4.10 Permanent corrosion protection of unbonded bar tendon without free tendon duct

2.2.4.10.1 Corrosion protection system with corrosion protection filling material

Corrosion protection is attained by filling the void between prestressing steel bar and PE-tube with corrosion protection filling material, see Annex 32 and Annex 33.

A smooth PE-tube according to EN 12201-1 with a nominal wall thickness of $t_{nom} \geq 2$ mm is slipped over the prestressing steel bar. Spacers with a distance of ≤ 1 m along the prestressing steel bar ensure a cover of corrosion protection filling material on the prestressing steel bar of ≥ 5 mm.

Filling is performed according to Clause 2.2.4.9.2.

Directly behind and within the fixed anchor embedded in concrete, the prestressing steel bar is protected by the structural concrete, see Annex 32 and Annex 33.

2.2.4.10.2 Anchorage

Corrosion protection of the anchorage is established according to Clause 2.2.4.9.3.

2.2.4.10.3 Couplings

The coupling is sheathed with a coupler tube and at both end with transition pieces made of PE or steel, see Annex 36. The joints between tube and transition pieces are sealed with heat-shrinking sleeve or chloride-free adhesive tape. Inlets and vents are installed where required.

The coupling is injected with corrosion protection filling material.

2.3 Assumed working life

The European Technical Assessment is based on an assumed working life of the DYWIDAG Post-tensioning bar tendon system of 2 years for temporary corrosion protection and 100 years for permanent corrosion protection, provided that the DYWIDAG Post-tensioning bar tendon system is subject to appropriate installation, use, and maintenance, see Clause 2.2.

In normal use conditions, the real working life may be considerably longer without major degradation affecting the basic requirements for construction works⁴.

The indications given as to the working life of the construction product cannot be interpreted as a guarantee, neither given by the product manufacturer or his representative nor by EOTA nor by the Technical Assessment Body, but are regarded only as a means for expressing the expected economically reasonable working life of the product.

3 Performance of the product and references to the methods used for its assessment

3.1 Essential characteristics

The performances of DYWIDAG Post-tensioning bar tendon system for the essential characteristics are given in Table 4.

Table 4 Essential characteristics and performances of the product

No	Essential characteristic	Product performance
Basic requirement for construction works 1: Mechanical resistance and stability		
1	Resistance to static load	See Clause 3.2.1.1.
2	Resistance to fatigue	See Clause 3.2.1.2.
3	Load transfer to the structure	See Clause 3.2.1.3.
4	Friction coefficient	See Clause 3.2.1.4.
5	Deviation, deflection (limits) for internal bonded and unbonded tendon	See Clause 3.2.1.5.
6	Deviation, deflection (limits) for external tendon	See Clause 3.2.1.6.
7	Assessment of assembly	See Clause 3.2.1.7.
8	Corrosion protection	See Clause 3.2.1.8.
Basic requirement for construction works 2: Safety in case of fire		
9	Reaction to fire	See Clause 3.2.2.1.
Basic requirement for construction works 3: Hygiene, health, and the environment		
10	Content, emission, and/or release of dangerous substances	See Clause 3.2.3.1.
Basic requirement for construction works 4: Safety and accessibility in use		
—	Not relevant. No characteristic assessed.	—

⁴ The real working life of a product incorporated in a specific works depends on the environmental conditions to which that works are subject, as well as on the particular conditions of design, execution, use, and maintenance of that works. Therefore, it cannot be excluded that in certain cases the real working life of the product may also be shorter than the assumed working life.

No	Essential characteristic	Product performance
Basic requirement for construction works 5: Protection against noise		
—	Not relevant. No characteristic assessed.	—
Basic requirement for construction works 6: Energy economy and heat retention		
—	Not relevant. No characteristic assessed.	—
Basic requirement for construction works 7: Sustainable use of natural resources		
—	No characteristic assessed.	—

3.2 Product performance

3.2.1 Mechanical resistance and stability

3.2.1.1 Resistance to static load

The PT system as described in the ETA meets the acceptance criteria of EAD 160004-00-0301, Clause 2.2.1. The characteristic values of maximum force, F_{pk} , of the bar tendon with prestressing steel bars according to Annex 40 and Annex 41 are listed in Annex 41.

3.2.1.2 Resistance to fatigue

The PT system as described in the ETA meets the acceptance criteria of EAD 160004-00-0301, Clause 2.2.2. The characteristic values of maximum force, F_{pk} , of the bar tendon with prestressing steel bars according to Annex 40 and Annex 41 are listed in Annex 41.

Fatigue resistance of anchorages was tested and verified with an upper force of $0.65 \cdot F_{pk}$, a fatigue stress range of 80 N/mm^2 , and $2 \cdot 10^6$ load cycles.

3.2.1.3 Load transfer to the structure

The PT system as described in the ETA meets the acceptance criteria of EAD 160004-00-0301, Clause 2.2.3. The characteristic values of maximum force, F_{pk} , of the bar tendon with prestressing steel bars according to Annex 40 and Annex 41 are listed in Annex 41.

Conformity with the stabilisation and crack width criteria specified for the load transfer test was verified to a force level of $0.80 \cdot F_{pk}$.

3.2.1.4 Friction coefficient

For friction losses including friction coefficient see Clause 1.4.

3.2.1.5 Deviation, deflection (limits) for internal bonded and unbonded bar tendon

For minimum radii of curvature see Clause 1.10, i.e. straight tendon for unbonded bar tendon.

3.2.1.6 Deviation, deflection (limits) for external bar tendon

For minimum radii of curvature see Clause 1.10, i.e. straight tendon.

3.2.1.7 Assessment of assembly

The PT system as described in the ETA meets the acceptance criteria of EAD 160004-00-0301, Clause 2.2.7.

3.2.1.8 Corrosion protection

The PT system as described in the ETA meets the acceptance criteria of EAD 160004-00-0301, Clause 2.2.13.

3.2.2 Safety in case of fire

3.2.2.1 Reaction to fire

The performance of components made of steel or cast iron is Class A1 without testing.

The performance of components of other materials has not been assessed.

3.2.3 Hygiene, health, and the environment

3.2.3.1 Content, emission and/or release of dangerous substances

According to the manufacturer's declaration, the PT system does not contain dangerous substances.

- SVOC and VOC

The performance of components made of steel or cast iron that are free of coating with organic material is no emission of SVOC and VOC.

The performance of components of other materials has not been assessed.

- Leachable substances

The product is not intended to be in direct contact to soil, ground water, and surface water.

3.3 Assessment methods

The assessment of the essential characteristics in Clause 3.1 of DYWIDAG Post-tensioning bar tendon system, for the intended uses, and in relation to the requirements for mechanical resistance and stability, safety in case of fire, and for hygiene, health and the environment, in the sense of the basic requirements for construction works № 1, 2, and 3 of Regulation (EU) № 305/2011, has been made in accordance with Annex A of EAD 160004-00-0301, Post-tensioning kits for prestressing of structures, for

- Item 1, Internal bonded tendon
- Item 4, Internal unbonded tendon
- Item 5, External tendon

3.4 Identification

The European Technical Assessment for DYWIDAG Post-tensioning bar tendon system is issued on the basis of agreed data that identify the assessed product⁵. Changes to materials, to composition, or to characteristics of the product, or to the production process could result in these deposited data being incorrect. Österreichisches Institut für Bautechnik should be notified before the changes are introduced, as an amendment of the European Technical Assessment is possibly necessary.

⁵ The technical file of the European Technical Assessment is deposited at Österreichisches Institut für Bautechnik.

4 Assessment and verification of constancy of performance (hereinafter AVCP) system applied, with reference to its legal base

4.1 System of assessment and verification of constancy of performance

According to Commission Decision 98/456/EC, the system of assessment and verification of constancy of performance to be applied to DYWIDAG Post-tensioning bar tendon system is System 1+. System 1+ is detailed in Commission Delegated Regulation (EU) № 568/2014 of 18 February 2014, Annex, point 1.1., and provides for the following items.

- (a) The manufacturer shall carry out
 - (i) factory production control;
 - (ii) further testing of samples taken at the manufacturing plant by the manufacturer in accordance with the prescribed test plan⁶.
- (b) The notified product certification body shall decide on the issuing, restriction, suspension, or withdrawal of the certificate of constancy of performance of the construction product on the basis of the outcome of the following assessments and verifications carried out by that body
 - (i) an assessment of the performance of the construction product carried out on the basis of testing (including sampling), calculation, tabulated values, or descriptive documentation of the product;
 - (ii) initial inspection of the manufacturing plant and of factory production control;
 - (iii) continuing surveillance, assessment, and evaluation of factory production control;
 - (iv) audit-testing of samples taken by the notified product certification body at the manufacturing plant or at the manufacturer's storage facilities.

4.2 AVCP for construction products for which a European Technical Assessment has been issued

Notified bodies undertaking tasks under System 1+ shall consider the European Technical Assessment issued for the construction product in question as the assessment of the performance of that product. Notified bodies shall therefore not undertake the tasks referred to in Clause 4.1, point (b) (i).

5 Technical details necessary for the implementation of the AVCP system, as provided for in the applicable EAD

5.1 Tasks for the manufacturer

5.1.1 Factory production control

The kit manufacturer exercises permanent internal control of the production. All the elements, procedures, and specifications adopted by the kit manufacturer are documented in a systematic manner in the form of written policies and procedures.

- Control of the incoming materials

The manufacturer checks the incoming materials to establish conformity with their specifications.

- Inspection and testing

⁶ The prescribed test plan has been deposited with Österreichisches Institut für Bautechnik and is handed over only to the notified product certification body involved in the procedure for the assessment and verification of constancy of performance. The prescribed test plan is also referred to as control plan.

Kind and frequency of inspections, tests, and checks, conducted during production and on the final product normally include.

- Definition of the number of samples taken by the kit manufacturer
- Material properties e.g. tensile strength, hardness, surface finish, chemical composition, etc.
- Determination of the dimensions of components
- Check correct assembly
- Documentation of tests and test results

All tests are performed according to written procedures with suitable calibrated measuring devices. All results of inspections, tests, and checks are recorded in a consistent and systematic way. The basic elements of the prescribed test plan are given in Annex 45, conform to EAD 160004-00-0301, Table 3, and are specified in the quality management plan of the DYWIDAG Post-tensioning bar tendon system.

The results of inspections, tests, and checks are evaluated for conformity. Shortcomings request the manufacturer to immediately implements measures to eliminate the defects.

- Control of non-conforming products

Products, which are considered as not conforming to the prescribed test plan, are immediately marked and separated from such products that conform. Factory production control addresses control of non-conforming products.

- Complaints

Factory production control includes procedures to keep records of all complaints about the PT system.

The records are presented to the notified product certification body involved in continuous surveillance and are kept at least for ten years after the product has been placed on the market. On request, the records are presented to Österreichisches Institut für Bautechnik.

At least once a year the manufacturer audits the manufacturers of the components given in Annex 46.

5.1.2 Declaration of performance

The manufacturer is responsible for preparing the declaration of performance. When all the criteria of the assessment and verification of constancy of performance are met, including the certificate of constancy of performance issued by the notified product certification body, the manufacturer draws up the declaration of performance. Essential characteristics included in the declaration of performance for the corresponding intended use are given in Table 4. In Annex 47 the combinations of essential characteristics and corresponding intended uses are listed.

5.2 Tasks for the notified product certification body

5.2.1 Initial inspection of the manufacturing plant and of factory production control

The notified product certification body establishes that, in accordance with the prescribed test plan, the manufacturing plant, in particular personnel and equipment, and the factory production control are suitable to ensure a continuous manufacturing of the PT system according to the given technical specifications. For the most important activities, EAD 160004-00-0301, Table 4 summarises the minimum procedure.

5.2.2 Continuing surveillance, assessment, and evaluation of factory production control

The activities are conducted by the notified product certification body and include surveillance inspections. The kit manufacturer is inspected at least once a year. Factory production control is inspected and samples are taken for independent single tensile element tests.

For the most important activities, the control plan according to EAD 160004-00-0301, Table 4 summarises the minimum procedure. It is verified that the system of factory production control and the specified manufacturing process are maintained, taking account of the control plan.

Each manufacturer of the components given in Annex 46 is audited at least once in five years. It is verified that the system of factory production control and the specified manufacturing process are maintained, taking account of the prescribed test plan.

The results of continuous surveillance are made available on demand by the notified product certification body to Österreichisches Institut für Bautechnik. When the provisions of the European Technical Assessment and the prescribed test plan are no longer fulfilled, the certificate of constancy of performance is withdrawn by the notified product certification body



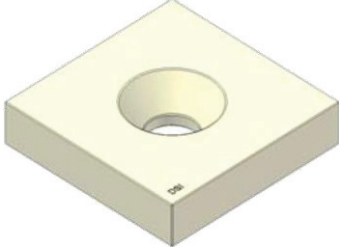
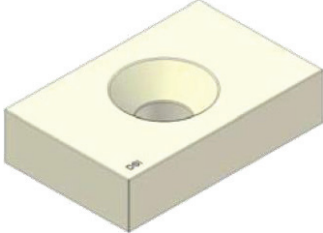
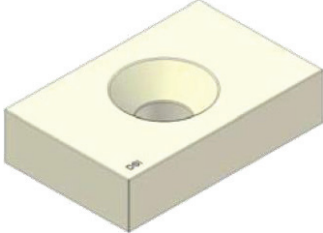
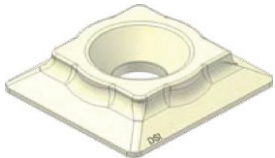

5.2.3 Audit-testing of samples taken by the notified product certification body at the manufacturing plant or at the manufacturer's storage facilities

During surveillance inspection, the notified product certification body takes samples of components of the PT system for independent testing. Audit-testing is conducted at least once a year by the notified product certification body. For the most important components, Annex 46 summarises the minimum procedures. Annex 46 conforms to EAD 160004-00-0301, Table 4. In particular, at least once a year, the notified product certification body also carries out one single tensile element test series according to EAD 160004-00-0301, Annex C.7 and Clause 3.3.4 on specimens taken from the manufacturing plant or at the manufacturer's storage facility.

Issued in Vienna on 27 June 2018
by Österreichisches Institut für Bautechnik

The original document is signed by

Rainer Mikulits
Managing Director

      	<p>Domed anchor nut 2001</p> <p>Domed anchor nut with grout slots 2099</p> <p>Solid plate, square 2011</p> <p>Solid plate, rectangular 2012</p> <p>Solid plate, small rectangular 2076</p> <p>QR-plate 2074</p> <p>Coupler, Coupler L 3003, 3303</p> <p>Transition coupler 3004</p>
--	---



DYWIDAG-Systems
 International GmbH
 www.dywidag-systems.com

DYWIDAG-PT bar tendon
Bonded, unbonded, and external bar tendon
 Components – Anchorage and coupling

Annex 1
 of European Technical Assessment
ETA-05/0123 of 27.06.2018

Corrosion protection for	Tendon with free tendon duct and external bar tendon					Tendon without free tendon duct		
	Temporary corrosion protection	Permanent corrosion protection				Permanent corrosion protection		
		WR	WR, WS	WR, WS	WR, WS	WR, WS	WR, WS	
Threadbar WR Plain bar WS	coating	grouting with cement grout before stressing or installation Annex 27	grouting with cement grout after stressing Annex 28	corrosion protection system Annex 29	corrosion protection filling material Annex 30	corrosion protection system Annexes 31 and 32	corrosion protection compound Annexes 33 and 34	
	coating acc. to EN ISO 12944-5 with protection tube (PE)	cement grout with protection tube, PE or steel Annex 27	cement grout with protection tube, PE or steel Annex 28	corrosion protection system with protection tube, PE or steel Annex 29	protection tube PE, filled with corrosion protection filling material Annex 30	corrosion protection system with protection tube, PE or steel Annexes 31 and 32	corrosion protection filling material with protection tube PE Annexes 33 and 34	
Anchorage, range of connection tube	corrosion protection filling material	sealing ring plus corrosion protection filling material Annex 26	sealing ring plus grout Annex 27	sealing ring or heat shrinking sleeve filled with corrosion protection filling material Annex 28	sealing ring or heat shrinking sleeve, filled with corrosion protection filling material Annex 29	sealing ring or heat shrinking sleeve filled with corrosion protection filling material Annexes 31 and 32	sealing ring or heat shrinking sleeve filled with corrosion protection filling material Annexes 33 and 34	
	corrosion protection filling material	corrosion protection filling material or grout Annex 26	corrosion protection filling material or grout Annex 27	corrosion protection filling material or grout Annex 28	corrosion protection filling material Annex 29	corrosion protection filling material Annexes 31 and 32	corrosion protection filling material Annexes 33 and 34	
Anchorage, range of anchor nut	cap, PE or steel	Annex 37					Annex 37	
	corrosion protection	cap, PE or steel Annex 35					cap, PE or steel Annex 36	
Coupler	corrosion protection	tube, PE or steel, with transition pieces, sealed with heat shrinking sleeve or tape, filled with corrosion protection filling material or grout Annex 35					tube with transition pieces, filled with corrosion protection filling material Annex 36	
	corrosion protection	material or grout Annex 35					material Annex 36	

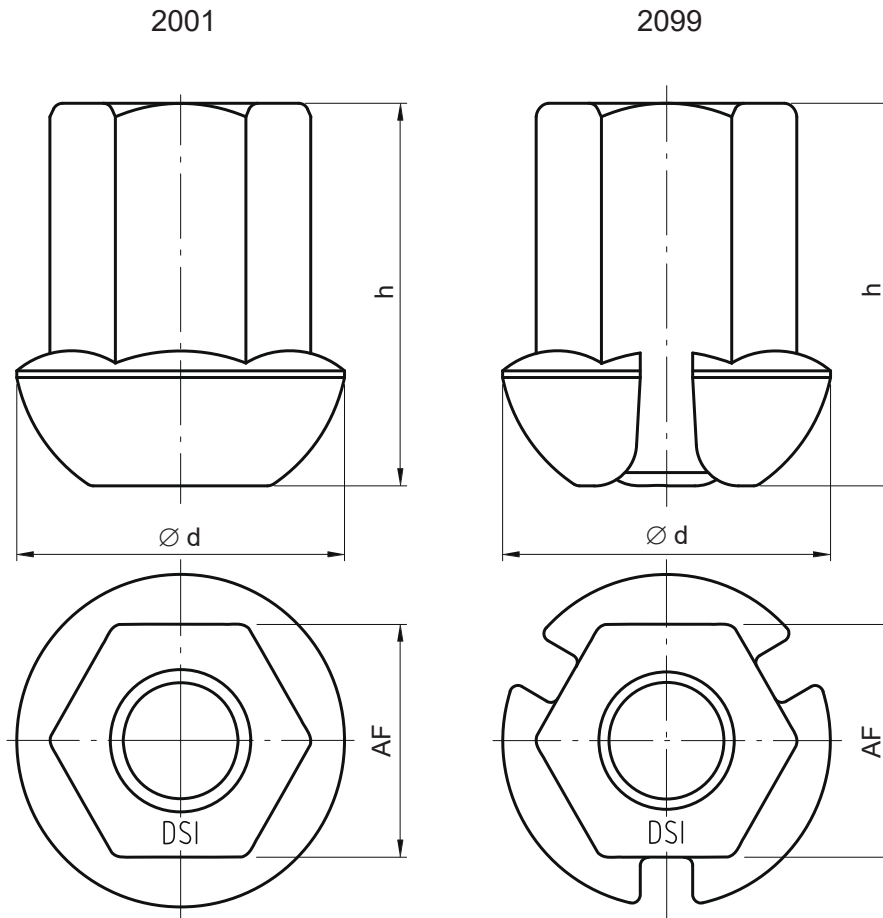


DYWIDAG-Systems
International GmbH

www.dywidag-systems.com

DYWIDAG-PT bar tendon
Unbonded and external bar tendon
Overview on corrosion protection systems

Annex 3
of European Technical Assessment
ETA-05/0123 of 27.06.2018



Bar	Nominal diameter	AF	Ø d	h
	mm	mm	mm	mm
Threadbar	Ø 17.5	36	50	55
	Ø 26.5	50	72	75
	Ø 32	60	80	90
	Ø 36	65	90	100
	Ø 40	70	100	115
	Ø 47	80	110	135
Plain bar	Ø 32	55	72	46
	Ø 36	65	90	60



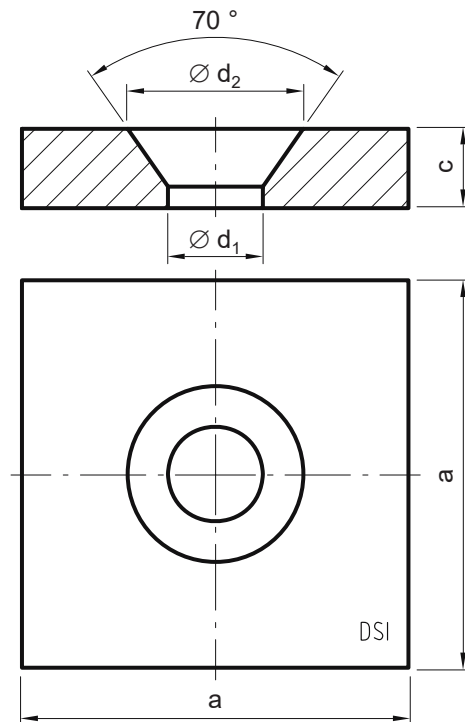
DYWIDAG-Systems
 International GmbH
 www.dywidag-systems.com

DYWIDAG-PT bar tendon
Bonded, unbonded, and external bar tendon

Domed anchor nut 2001
 Domed anchor nut with grout slots 2099

Annex 4

of European Technical Assessment
ETA-05/0123 of 27.06.2018



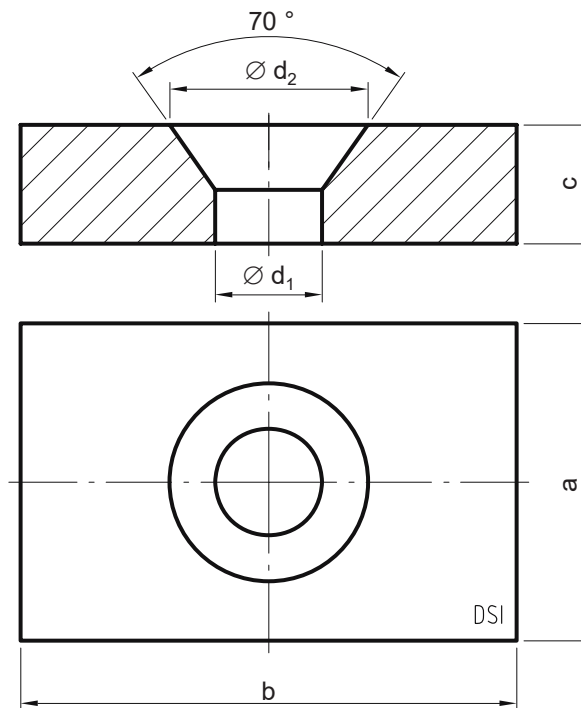
Bar	Nominal diameter	a	c	Ø d ₁	Ø d ₂
	mm	mm	mm	mm	mm
Threadbar	Ø 17.5	110	30	28	45
	Ø 26.5	150	35	39	72
	Ø 32	180	40	45	82
	Ø 36	200	45	49	92
	Ø 40	220	45	54	100
	Ø 47	260	50	64	110
Plain bar	Ø 32	180	40	45	72
	Ø 36	200	45	49	92



DYWIDAG-Systems
 International GmbH
 www.dywidag-systems.com

DYWIDAG-PT bar tendon
Bonded, unbonded, and external bar tendon
 Solid plate, square 2011

Annex 5
 of European Technical Assessment
ETA-05/0123 of 27.06.2018



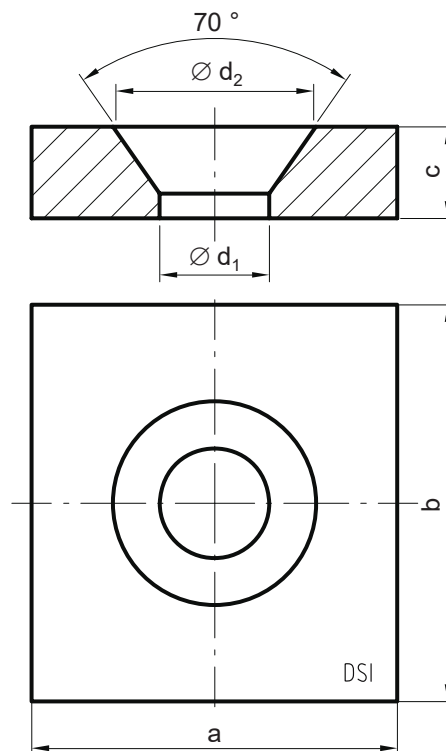
Bar	Nominal diameter	a	b	c	$\varnothing d_1$	$\varnothing d_2$
	mm	mm	mm	mm	mm	mm
Threadbar	$\varnothing 17.5$	100	130	30	28	45
	$\varnothing 26.5$	130	150	35	39	72
	$\varnothing 32$	140	180	40	45	82
	$\varnothing 36$	150	220	50	49	92
	$\varnothing 40$	160	250	60	54	100
	$\varnothing 47$	200	280	60	64	110
Plain bar	$\varnothing 32$	140	180	40	45	72
	$\varnothing 36$	150	220	50	49	92



DYWIDAG-Systems
 International GmbH
 www.dywidag-systems.com

DYWIDAG-PT bar tendon
Bonded, unbonded, and external bar tendon
 Solid plate, rectangular 2012

Annex 6
 of European Technical Assessment
ETA-05/0123 of 27.06.2018



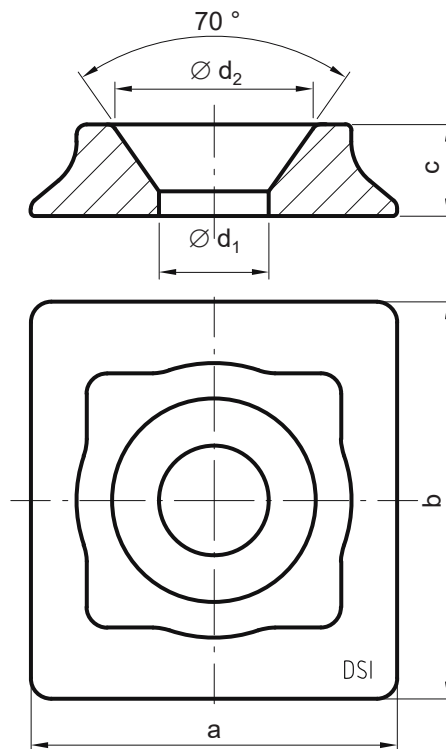
Bar	Nominal diameter	a	b	c	$\varnothing d_1$	$\varnothing d_2$
	mm	mm	mm	mm	mm	mm
Threadbar	$\varnothing 17.5$	80	90	25	28	45
	$\varnothing 26.5$	120	130	30	39	72
	$\varnothing 32$	140	165	35	45	82
	$\varnothing 36$	160	180	40	49	92
	$\varnothing 40$	180	195	45	54	100
	$\varnothing 47$	210	235	55	64	110
Plain bar	$\varnothing 32$	140	165	35	45	72
	$\varnothing 36$	160	180	40	49	92



DYWIDAG-Systems
 International GmbH
 www.dywidag-systems.com

DYWIDAG-PT bar tendon
Bonded bar tendon
 Solid plate, small rectangular 2076

Annex 7
 of European Technical Assessment
ETA-05/0123 of 27.06.2018



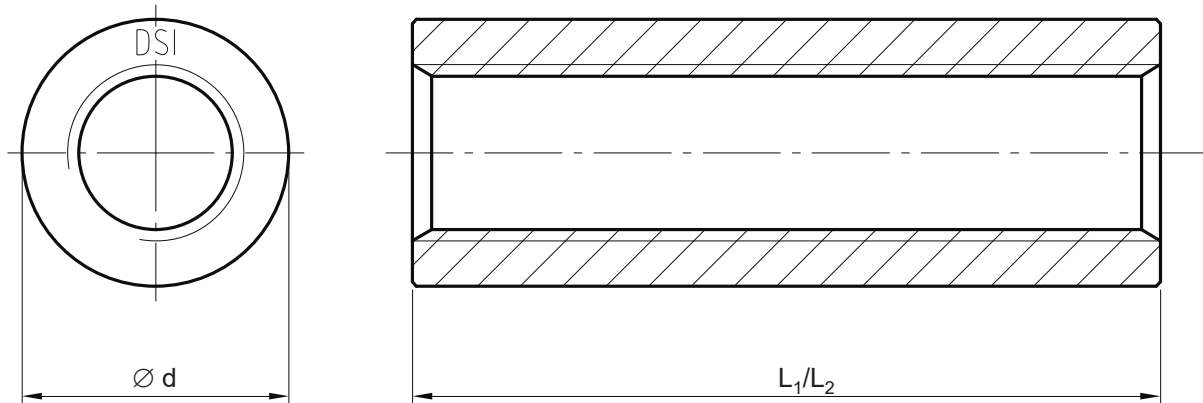
Bar	Nominal diameter	a	b	c	$\varnothing d_1$	$\varnothing d_2$
	mm	mm	mm	mm	mm	mm
Threadbar	$\varnothing 26.5$	120	130	30	39	72
	$\varnothing 32$	140	165	35	45	82
	$\varnothing 36$	160	180	40	49	92
	$\varnothing 40$	180	195	45	54	100
Plain bar	$\varnothing 36$	160	180	40	49	92



DYWIDAG-Systems
 International GmbH
 www.dywidag-systems.com

DYWIDAG-PT bar tendon
Bonded bar tendon
 QR-plate 2074

Annex 8
 of European Technical Assessment
ETA-05/0123 of 27.06.2018



L₁ Length of coupler 3003

L₂ Length of coupler L 3303 for unbonded and external bar tendons with angular cut threadbars

Bar	Nominal diameter	Ø d	L ₁	L ₂
	mm	mm	mm	mm
Threadbar	Ø 17.5	36	100	115
	Ø 26.5	50	170	195
	Ø 32	60	200	230
	Ø 36	68	210	245
	Ø 40	70	245	285
	Ø 47	83	270	—
Plain bar	Ø 32	60	110	—
	Ø 36	68	160	—



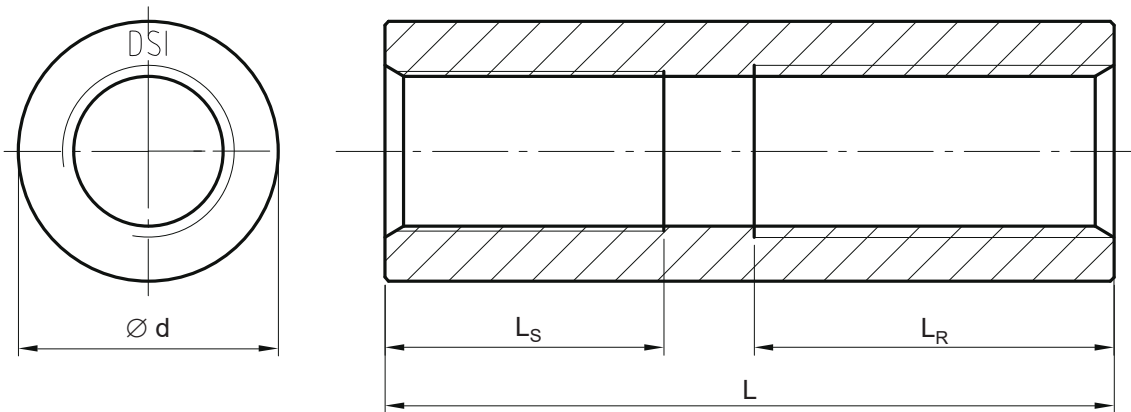
DYWIDAG-Systems
 International GmbH
 www.dywidag-systems.com

DYWIDAG-PT bar tendon
Bonded, unbonded, and external bar tendon

Coupler 3003
 Coupler L 3303

Annex 9

of European Technical Assessment
ETA-05/0123 of 27.06.2018



L_R Length of thread for threadbar
 L_S Length of thread for plain bar

Bar	Nominal diameter	$\varnothing d$	L	L_R	L_S
	mm	mm	mm	Mm	mm
Threadbar	$\varnothing 32$	60	200	100	55
Plain bar	$\varnothing 36$	68	210	105	80

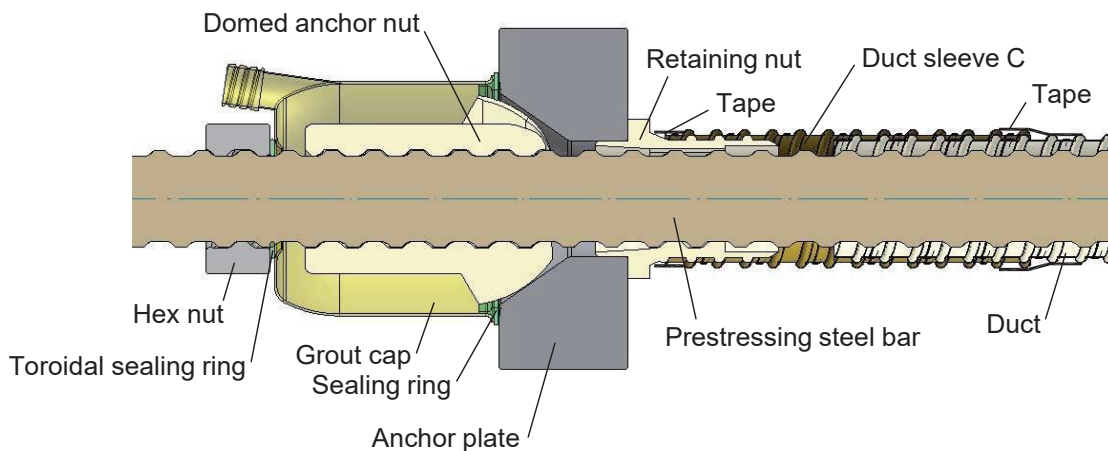


DYWIDAG-Systems
 International GmbH
 www.dywidag-systems.com

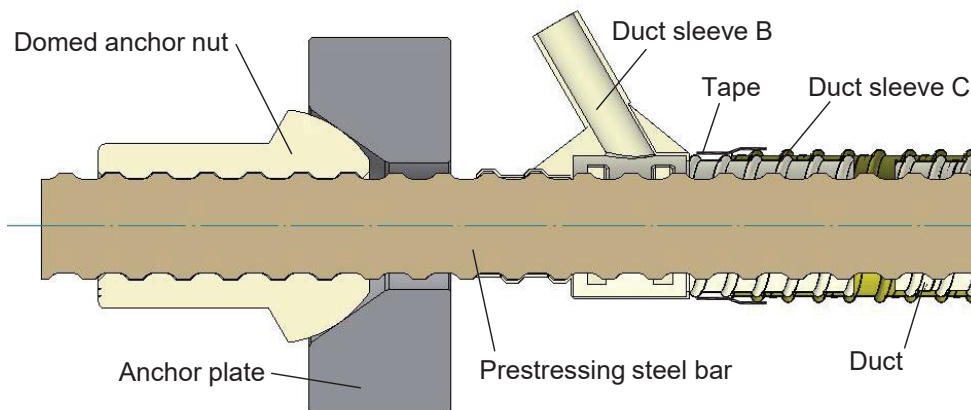
DYWIDAG-PT bar tendon
Bonded, unbonded, and external bar tendon
 Transition coupler 3004

Annex 10
 of European Technical Assessment
ETA-05/0123 of 27.06.2018

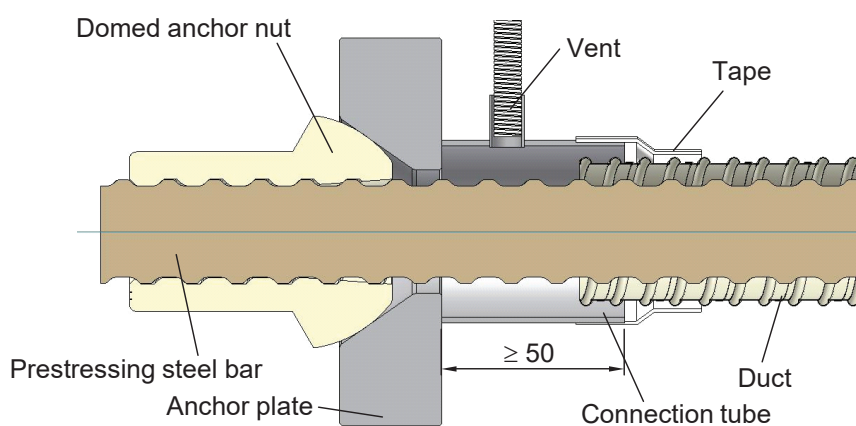
Stressing anchor



Fixed anchor



Stressing and fixed anchor



Dimensions in mm

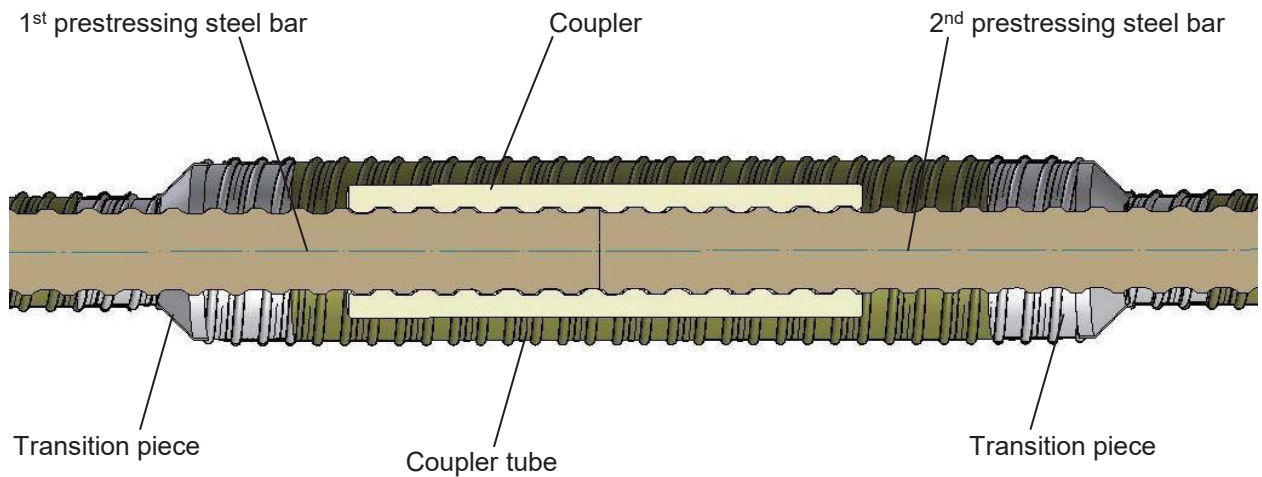


DYWIDAG-Systems
 International GmbH
 www.dywidag-systems.com

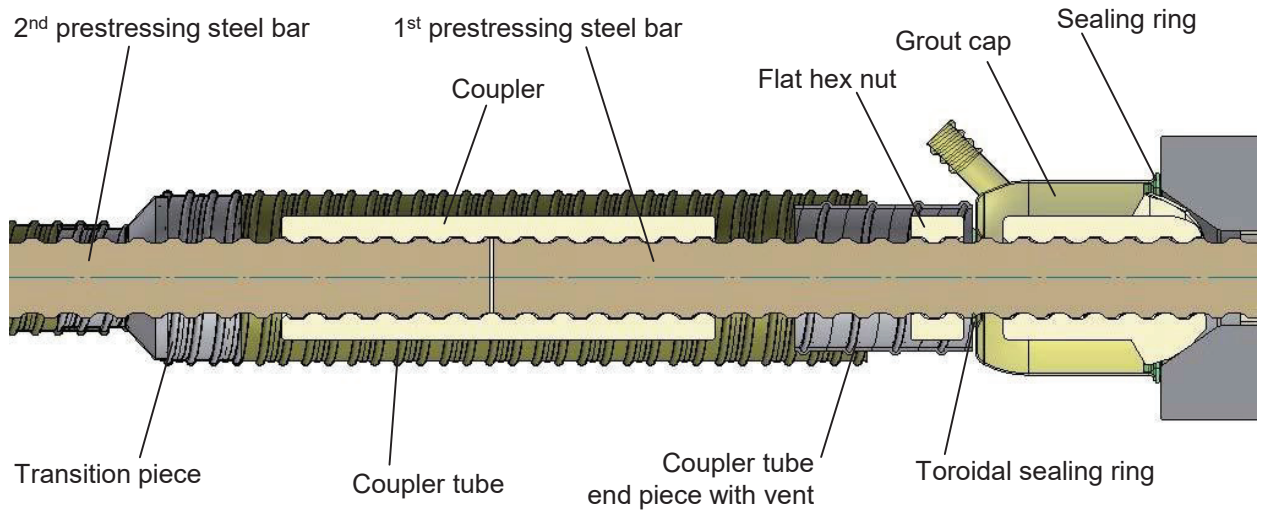
DYWIDAG-PT bar tendon
Bonded bar tendon
 Stressing and fixed anchor

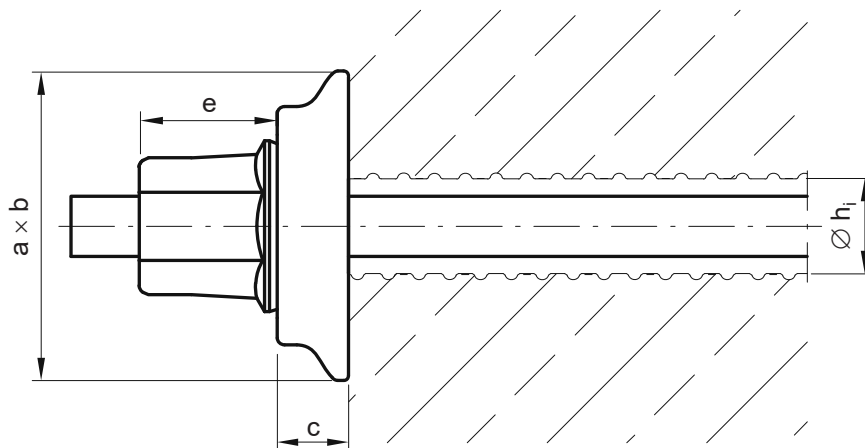
Annex 11
 of European Technical Assessment
ETA-05/0123 of 27.06.2018

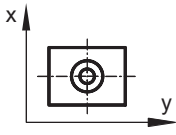
Movable coupling D

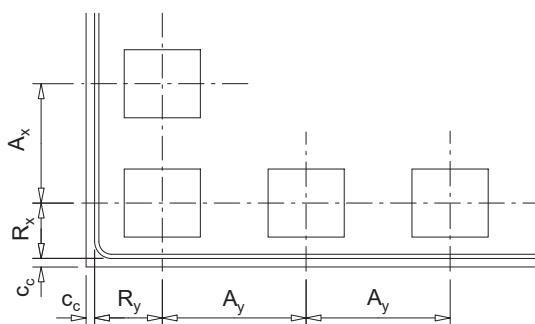


Fixed coupling with grout cap





Nominal diameter		26.5	32	36	40						
Dimensions 	a	120	140	160	180						
	b	130	165	180	195						
	c	30	35	40	45						
	~ e	60	70	<table border="1"> <tr> <td>36 WR</td> <td>36 WS</td> </tr> <tr> <td>36 E</td> <td>36</td> </tr> <tr> <td>76</td> <td>36</td> </tr> </table>	36 WR	36 WS	36 E	36	76	36	90
	36 WR	36 WS									
36 E	36										
76	36										
$\varnothing h_i$	38	44	51	55							
Minimum actual concrete strength $f_{cm, 0, cyl}$ at stressing in N/mm^2		30	30	30	30						
Centre distance ¹⁾	A_x	230	260	280	320						
Centre distance ¹⁾	A_y	250	300	340	360						
Edge distance ¹⁾ , plus c_c	R_x	105	120	130	150						
Edge distance ¹⁾ , plus c_c	R_y	115	140	160	170						



$R_x + c_c$ } Minimum edge distance
 $R_y + c_c$ }
 c_c Concrete cover of reinforcement in the same cross section, at least 20 mm

¹⁾ Minimum centre and edge distances

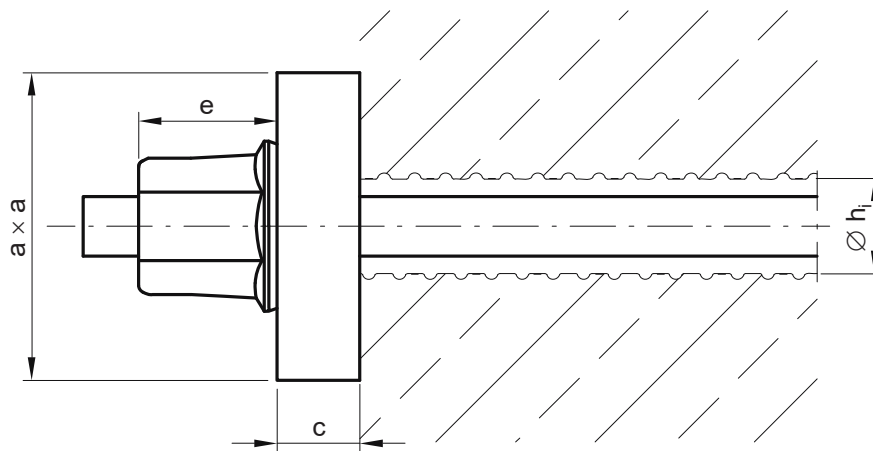
Dimensions in mm



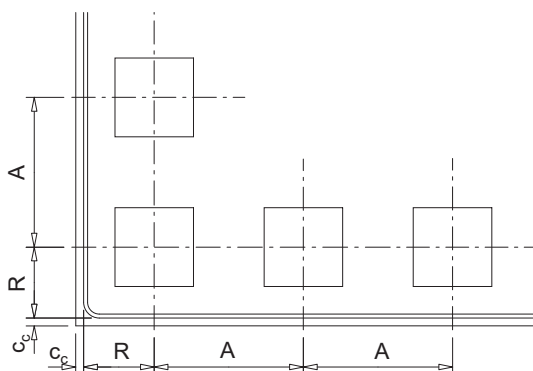
DYWIDAG-Systems
 International GmbH
 www.dywidag-systems.com

DYWIDAG-PT bar tendon
Bonded bar tendon
 Stressing and fixed anchor
 QR-plate without additional reinforcement
 Centre and edge distances

Annex 13
 of European Technical Assessment
ETA-05/0123 of 27.06.2018



Nominal diameter		17.5	26.5	32	36	40	47	
Dimensions	a	110	150	180	200	220	260	
	c	30	35	40	45	45	50	
	~ e	46	60	32 WR 32 E 70	32 WS 30	36 WR 36 E 76	36 WS 36	90 108
	$\varnothing h_i$	25	38	44	51	55	70	
Minimum actual concrete strength $f_{cm, 0, cyl}$ at stressing in N/mm^2		20	20	20	20	20	20	
Centre distance ¹⁾ A		155	280	340	380	420	500	
Edge distance ¹⁾ , plus $c_c R$		70	130	160	180	200	240	



$R + c_c$ Minimum edge distance
 c_c Concrete cover of reinforcement
 in the same cross section, at
 least 20 mm

¹⁾ Minimum centre and edge distances

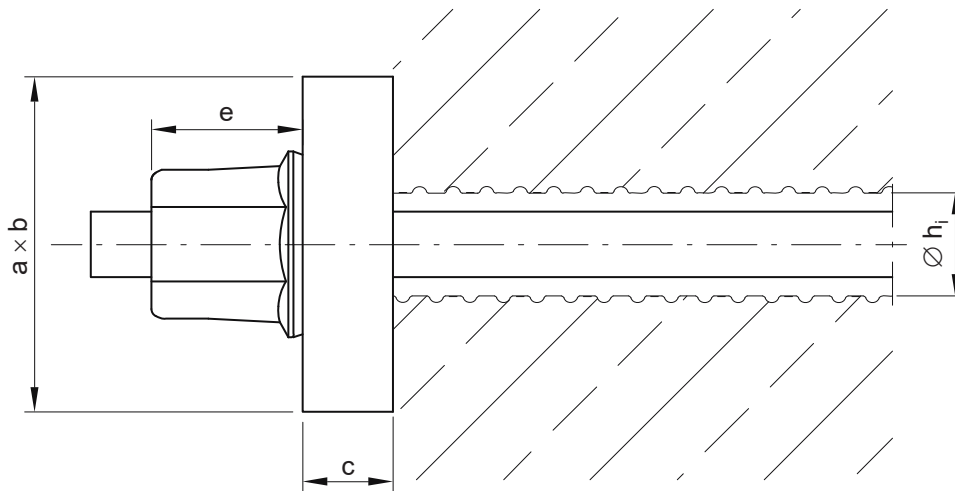
Dimensions in mm

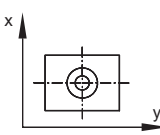


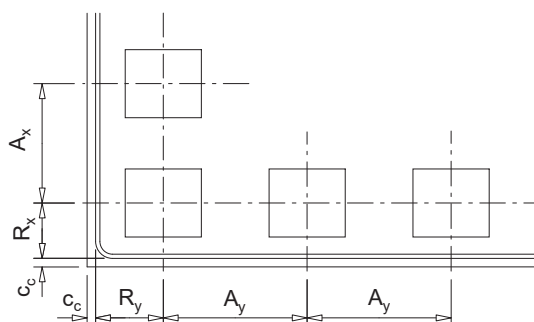
DYWIDAG-Systems
 International GmbH
 www.dywidag-systems.com

DYWIDAG-PT bar tendon
Bonded bar tendon
 Stressing and fixed anchor
 Solid plate, square without additional
 reinforcement – Centre and edge distances

Annex 14
 of European Technical Assessment
ETA-05/0123 of 27.06.2018



Nominal diameter		17.5	26.5	32	36	40	47	
Dimensions 	a	80	120	140	160	180	210	
	b	90	130	165	180	195	235	
	c	25	30	35	40	45	55	
	~ e	46	60	32 WR 32 E 70	32 WS 30	36 WR 36 E 76	36 WS 36	90 108
	Ø hi	25	38	44	51	55	70	
Minimum actual concrete strength $f_{cm, 0, cyl}$ at stressing in N/mm ²		30	30	30	30	30	30	
Centre distance ¹⁾ A _x		150	230	260	280	320	380	
Centre distance ¹⁾ A _y		160	250	300	340	360	420	
Edge distance ¹⁾ , plus c _c R _x		65	105	120	130	150	180	
Edge distance ¹⁾ , plus c _c R _y		70	115	140	160	170	200	



$R_x + c_c$
 $R_y + c_c$ } Minimum edge distance
 c_c Concrete cover of reinforcement
 in the same cross section, at
 least 20 mm

¹⁾ Minimum centre and edge distances

Dimensions in mm



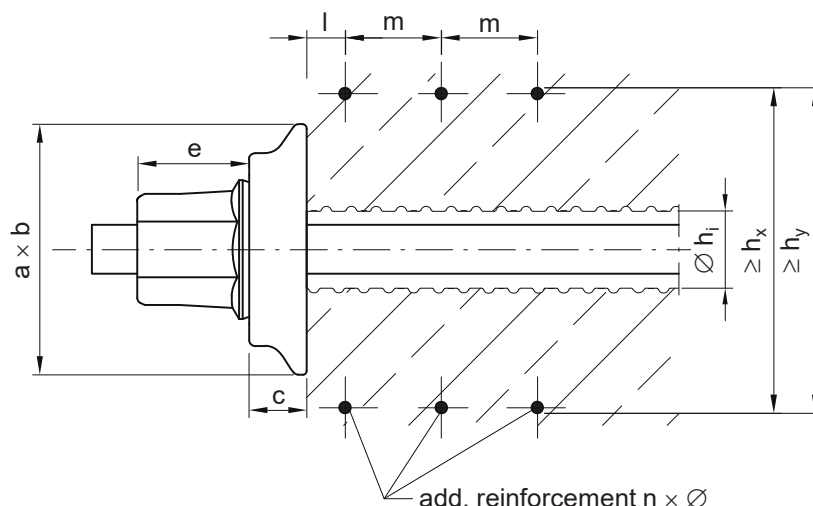
DYWIDAG-Systems
 International GmbH
 www.dywidag-systems.com

DYWIDAG-PT bar tendon
Bonded bar tendon

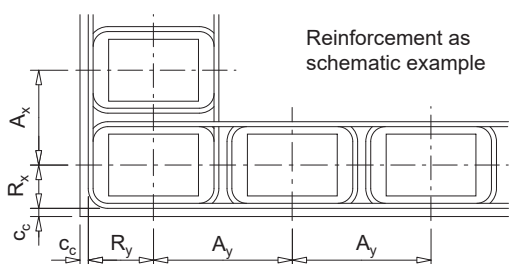
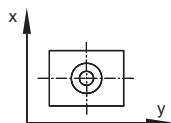
Stressing and fixed anchor – Solid plate, small
 rectangular 2076 without additional
 reinforcement – Centre and edge distances

Annex 15

of European Technical Assessment
ETA-05/0123 of 27.06.2018



Nominal diameter		26.5			32			36			40			
Dimensions	a	120			140			160			180			
	b	130			165			180			195			
	c	30			35			40			45			
	~ e	60			70			36 WR 36 E		36 WS		90		
	$\varnothing h_i$	38			44			51			55			
Minimum actual concrete strength $f_{cm, 0, cyl}$ at stressing in N/mm ²		20	30	40	20	30	40	20	30	40	20	30	40	
Centre distance ¹⁾	A _x	190	160	140	230	200	170	260	220	190	280	250	220	
Centre distance ¹⁾	A _y	210	180	150	250	220	190	280	250	220	320	280	240	
Edge distance ¹⁾ , plus c _c	R _x	85	70	60	105	90	75	120	100	85	130	115	100	
Edge distance ¹⁾ , plus c _c	R _y	95	80	65	115	100	85	130	115	100	150	130	110	
Additional reinforcement	n	4	4	3	5	4	3	4	4	3	4	4	3	
	\varnothing	10	10	10	10	10	10	10	10	10	10	10	10	
	m	50	50	60	50	60	60	60	60	60	60	60	60	
	L	40	40	40	40	40	40	40	40	40	40	40	40	
	h _x	170	140	120	210	180	150	240	200	170	260	230	200	
	h _y	190	160	130	230	200	170	260	230	200	300	260	220	



Additional reinforcement
 Stirrup or orthogonal reinforcement. Orthogonal reinforcement is properly anchored.
 $R_x + c_c$ Minimum edge distance
 $R_y + c_c$ Minimum edge distance
 c_c Concrete cover
¹⁾ Minimum centre and edge distances

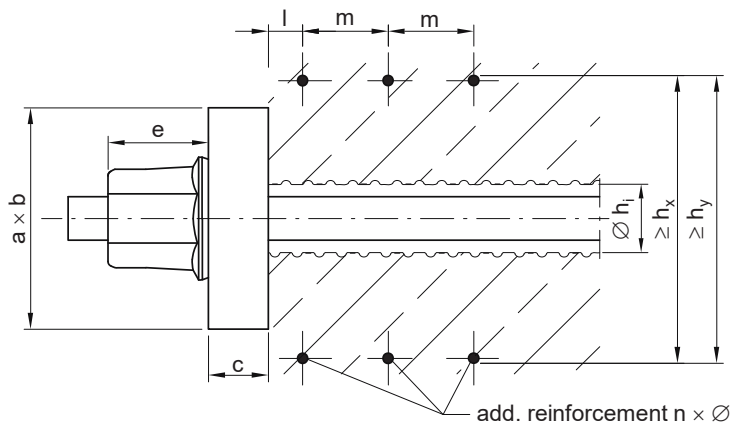
Dimensions in mm



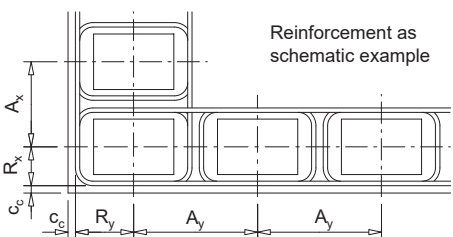
DYWIDAG-Systems
 International GmbH
 www.dywidag-systems.com

DYWIDAG-PT bar tendon
Bonded bar tendon
 Stressing and fixed anchor
 QR-plate with additional reinforcement
 Centre and edge distances

Annex 16
 of European Technical Assessment
ETA-05/0123 of 27.06.2018



Nominal diameter	17.5	26.5	32	36	40	47													
Dimensions	a	100	130	140	150	160	200												
	b	130	150	180	220	250	280												
	c	30	35	40	50	60	60												
	~ e	46	60	32 WR 32 E	32 WS	36 WR 36 E	36 WS	90	108										
	$\varnothing h_i$	25	38	44	51	55	70												
Minimum actual concrete strength $f_{cm, 0, cyl}$ at stressing in N/mm ²	20	30	40	20	30	40	20	30	40	20	30	40	20	30	40	20	30	40	
Centre distance ¹⁾ A_x	130	120	120	180	160	150	210	190	180	230	210	180	260	220	200	290	260	220	
Centre distance ¹⁾ A_y	150	150	150	240	190	160	300	230	190	340	260	240	380	320	270	440	380	300	
Edge distance ¹⁾ , plus c_c R_x	55	50	50	80	70	65	95	85	80	105	95	80	120	100	90	135	120	100	
Edge distance ¹⁾ , plus c_c R_y	65	65	65	110	85	70	140	105	85	160	120	110	180	150	125	210	180	140	
Additional reinforcement	n	4	4	4	4	3	3	5	4	4	5	4	4	6	5	5	5	5	
	\varnothing	10	10	10	12	12	12	12	12	12	12	12	12	12	12	12	12	12	
	m	30	30	30	60	60	60	60	60	60	60	60	60	60	60	60	60	60	
	l	20	20	20	20	20	20	20	20	20	20	20	20	20	20	20	35	35	35
	h_x	110	100	100	160	140	130	190	170	160	210	190	160	240	200	180	270	240	200
	h_y	130	130	130	220	170	140	280	210	170	320	240	220	360	300	250	420	360	280

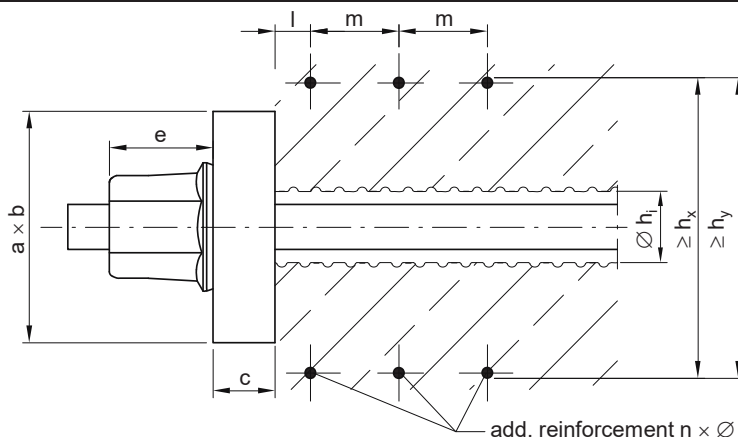


Additional reinforcement
 Stirrup or orthogonal reinforcement. Orthogonal reinforcement is properly anchored.
 $R_x + c_c$ }Minimum edge distance
 $R_y + c_c$ }
 c_c Concrete cover
 1) Minimum centre and edge distances
 Dimensions in mm

DYWIDAG-Systems
 International GmbH
 www.dywidag-systems.com

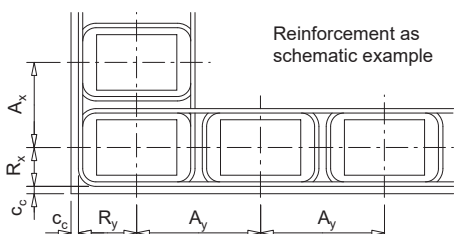
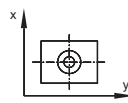
DYWIDAG-PT bar tendon
Bonded bar tendon
 Stressing and fixed anchor
 Solid plate, rectangular 2012 with additional reinforcement – Centre and edge distances

Annex 17
 of European Technical Assessment
ETA-05/0123 of 27.06.2018



add. reinforcement $n \times \varnothing$

Nominal diameter	17.5	26.5	32	36	40	47													
Dimensions	a	80	120	140	160	180	210												
	b	90	130	165	180	195	235												
	c	25	30	35	40	45	55												
	~ e	46	60	32 WR 32 E 70	32 WS 30	36 WR 36 E 76	36 WS 36	90	108										
	Ø h _i	25	38	44	51	55	70												
Minimum actual concrete strength $f_{cm, 0, cyl}$ at stressing in N/mm ²	20	30	40	20	30	40	20	30	40	20	30	40	20	30	40	20	30	40	
Centre distance ¹⁾ A _x	130	110	100	190	160	140	230	200	170	260	220	190	280	250	220	320	290	240	
Centre distance ¹⁾ A _y	140	120	105	210	180	150	250	220	190	280	250	220	320	280	240	370	330	270	
Edge distance ¹⁾ , plus c _c R _x	55	45	40	85	70	60	105	90	75	120	100	85	130	115	100	150	135	110	
Edge distance ¹⁾ , plus c _c R _y	60	50	45	95	80	65	115	100	85	130	115	100	150	130	110	175	155	125	
Additional reinforcement	n	3	3	3	4	4	3	5	4	3	4	4	3	4	4	3	4	4	3
	Ø	10	10	10	10	10	10	10	10	10	10	10	10	10	10	10	10	10	10
	m	50	50	50	50	50	60	50	60	60	60	60	60	60	60	60	60	60	60
	l	40	40	40	40	40	40	40	40	40	40	40	40	40	40	40	40	40	40
	h _x	110	90	80	170	140	120	210	180	150	240	200	170	260	230	200	300	270	220
	h _y	120	100	85	190	160	130	230	200	170	260	230	200	300	260	220	350	310	250



Reinforcement as schematic example

Additional reinforcement
 Stirrup or orthogonal reinforcement. Orthogonal reinforcement is properly anchored.

$R_x + c_c$
 $R_y + c_c$ } Minimum edge distance

c_c Concrete cover

¹⁾ Minimum centre and edge distances

Dimensions in mm



DYWIDAG-Systems
 International GmbH
 www.dywidag-systems.com

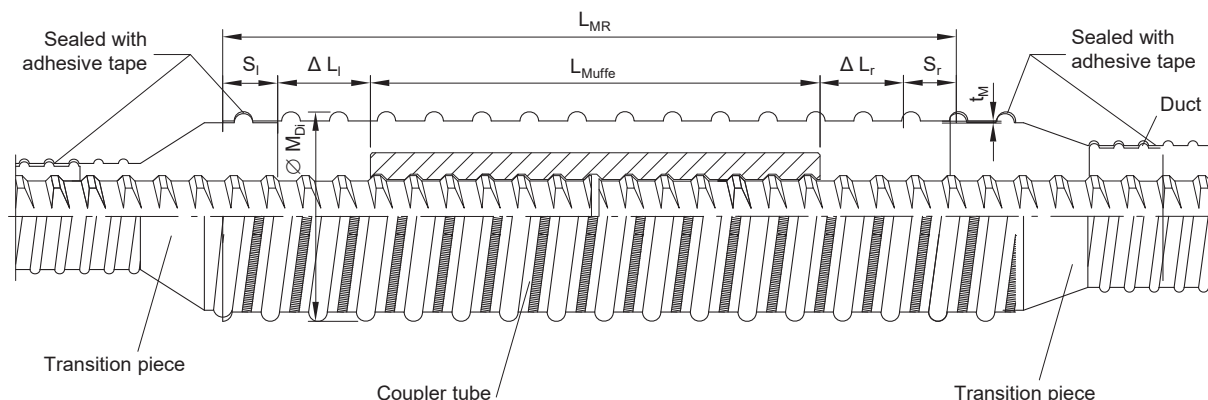
DYWIDAG-PT bar tendon
Bonded bar tendon

Stressing and fixed anchor – Solid plate,
 small rectangular 2076 with additional
 reinforcement – Centre and edge distances

Annex 18

of European Technical Assessment
ETA-05/0123 of 27.06.2018

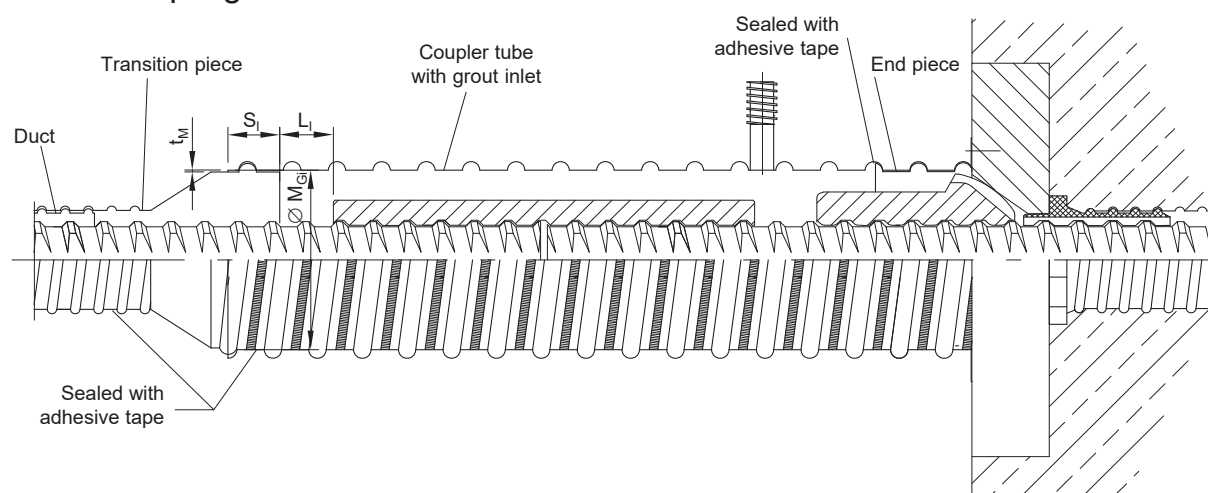
Movable coupling D



$$L_{MR} = L_{Muffe} + \Delta L_L + \Delta L_R + S_L + S_R$$

L_{MR} Length of coupler tube
 L_{Muffe} Length of coupler or transition coupler
 $\Delta L_L, \Delta L_R$ Displacement of coupler to left and right respectively
 S_L, S_R Safety clearance, $0.2 \cdot \Delta L \geq 40 \text{ mm}$

Movable coupling G



Bar designation		18 WR	26 WR 26 E	32 WR 32 E	36 WR 36 E	40 WR 40 E	47 WR	32 WS	36 WS
Coupler tube									
for coupling D Corrugated metal sheet	$\varnothing M_{Di}$	50	65	75	85	85	100	75	85
	t_M	0.35	0.35	0.35	0.35	0.35	0.4	0.35	0.35
for coupling D Plain metal sheet	$\varnothing M_{Di}$	48.3	63.5	76.1	88.9	88.9	101.6	76.1	88.9
	min. t_M	0.6	0.6	0.8	0.8	0.8	0.8	0.8	0.8
for coupling G Thickness of the metal sheet	$\varnothing M_{Gi}$	65	90	105	110	120	130	105	110
	t_M	0.35	0.4	0.4	0.4	0.4	0.4	0.4	0.4

Dimensions in mm

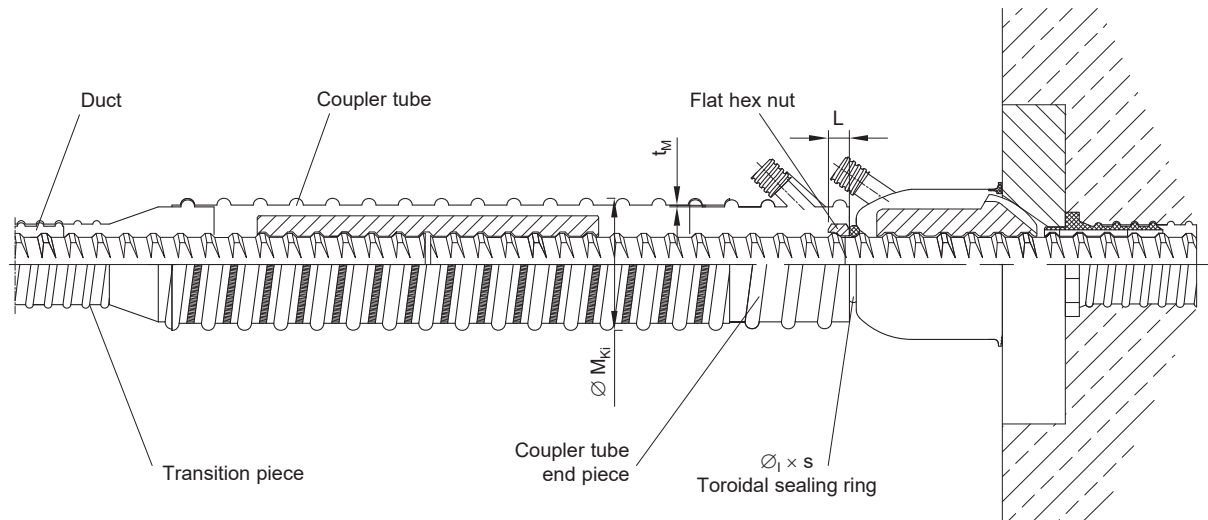


DYWIDAG-Systems
 International GmbH
 www.dywidag-systems.com

DYWIDAG-PT bar tendon
Bonded bar tendon
 Movable coupling

Annex 19
 of European Technical Assessment
ETA-05/0123 of 27.06.2018

Fixed coupling with group cap



Bar designation		18 WR	26 WR 26 E	32 WR 32 E	36 WR 36 E	40 WR 40 E	47 WR	32 WS	36 WS
Coupler tube	$\varnothing M_{ki}$	50	65	75	85	85	95	75	85
Coupler tube, thickness of metal sheet	t_M	0.35	0.35	0.35	0.35	0.35	0.40	0.35	0.35
Flat hex nut	SW	30	41	46	50	55	60	46	50
	L	22	15	15	20	25	25	15	15
Toroidal sealing ring	\varnothing_i	14	22	26	30	36	42	26	30
	s	8	8	8	8	8	8	8	8

Dimensions in mm

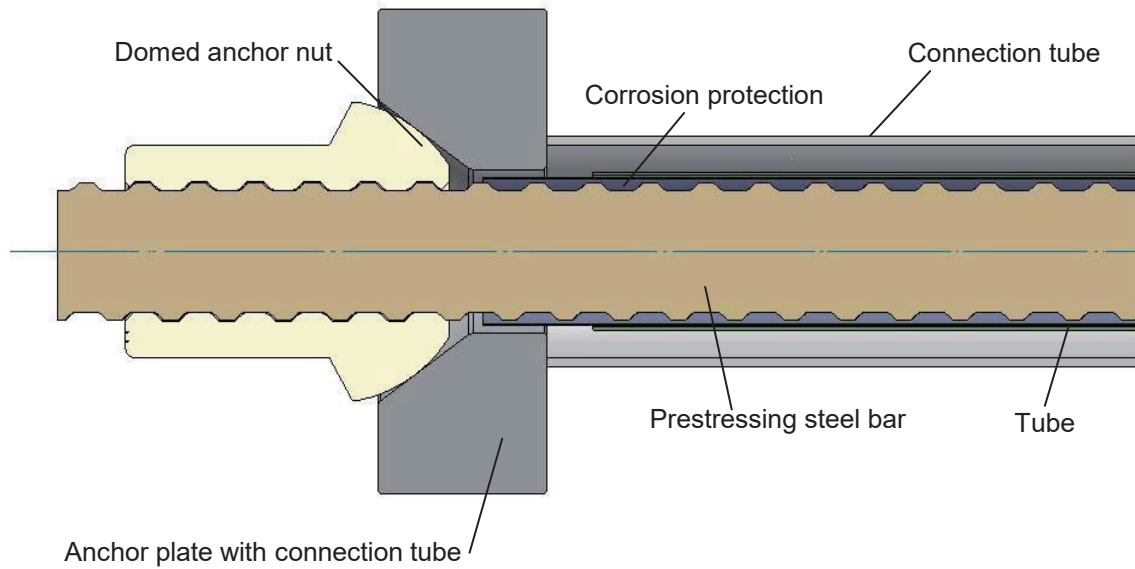


DYWIDAG-Systems
 International GmbH
 www.dywidag-systems.com

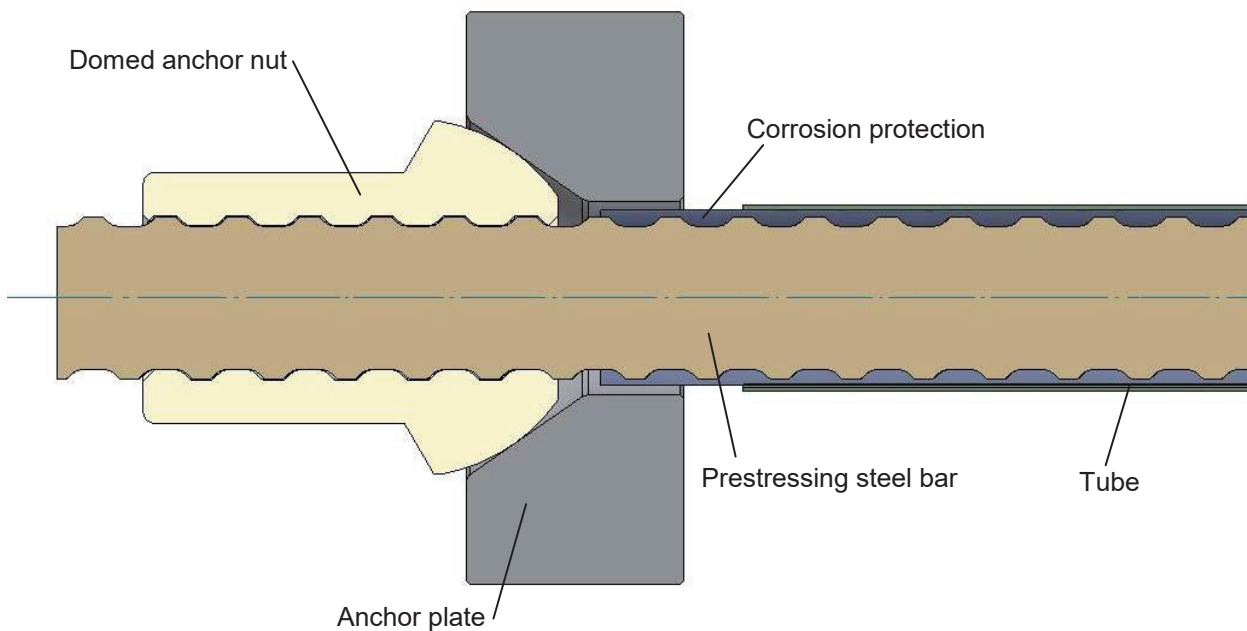
DYWIDAG-PT bar tendon
Bonded bar tendon
 Fixed coupling

Annex 20
 of European Technical Assessment
ETA-05/0123 of 27.06.2018

Stressing anchor



Fixed anchor

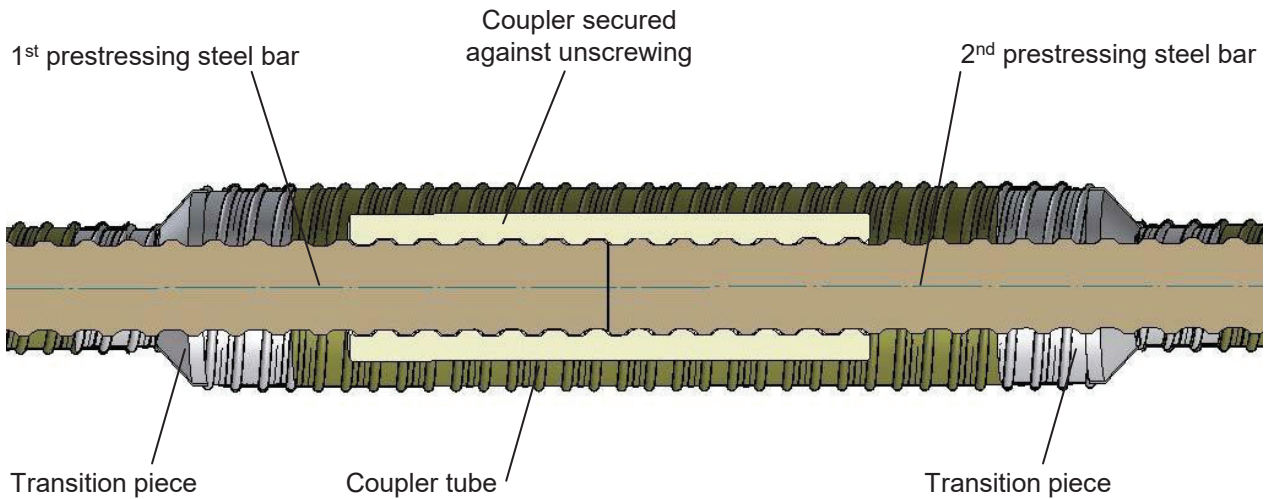


DYWIDAG-Systems
International GmbH
www.dywidag-systems.com

DYWIDAG-PT bar tendon
Unbonded and external bar tendon
Stressing and fixed anchor

Annex 21
of European Technical Assessment
ETA-05/0123 of 27.06.2018

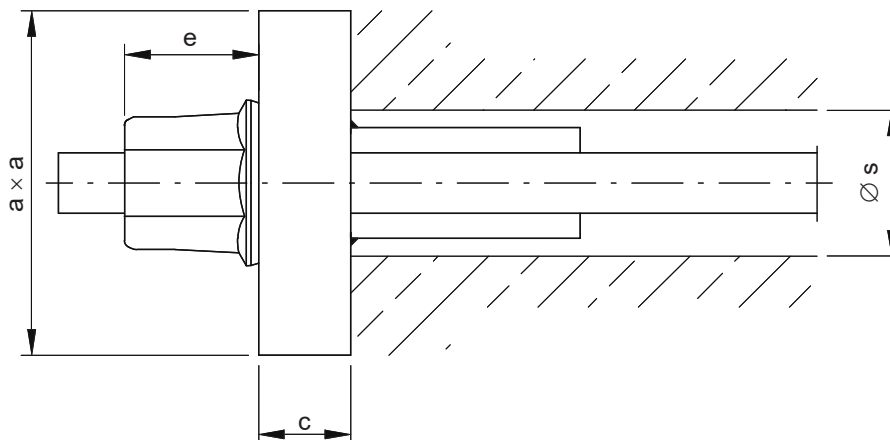
Movable coupling D



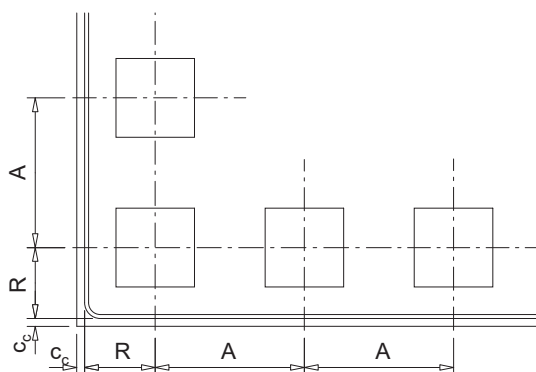
DYWIDAG-Systems
International GmbH
www.dywidag-systems.com

DYWIDAG-PT bar tendon
Unbonded and external bar tendon
Movable coupling

Annex 22
of European Technical Assessment
ETA-05/0123 of 27.06.2018



Nominal diameter		17.5	26.5	32	36	40	47	
Dimensions	a	110	150	180	200	220	260	
	c	30	35	40	45	45	50	
	~ e	46	60	32 WR 32 E 70	32 WS 30	36 WR 36 E 76	36 WS 36	90 108
	max. Ø s	63	63	70	76.5	76.5	101.6	
Minimum actual concrete strength $f_{cm, 0, cyl}$ at stressing in N/mm^2		20	20	20	20	20	20	
Centre distance ¹⁾ A		190	280	340	380	420	500	
Edge distance ¹⁾ , plus $c_c R$		85	130	160	180	200	240	



$R + c_c$ Minimum edge distance
 c_c Concrete cover of reinforcement
 in the same cross section, at
 least 20 mm
 1) Minimum centre and edge distances

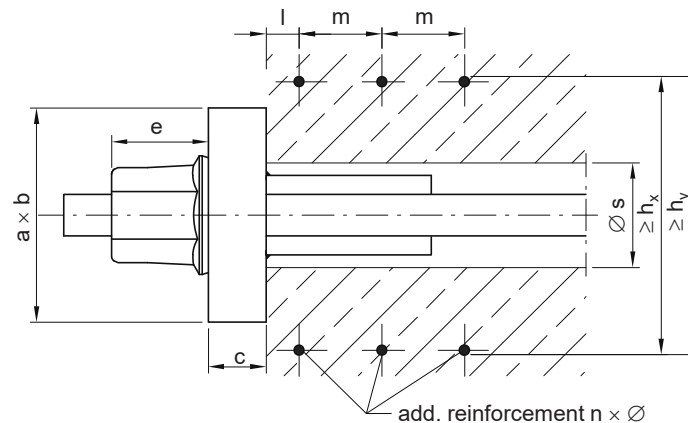
Dimensions in mm



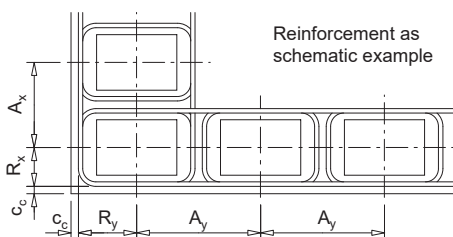
DYWIDAG-Systems
 International GmbH
 www.dywidag-systems.com

DYWIDAG-PT bar tendon
Unbonded and external bar tendon
 Stressing and fixed anchor
 Solid plate, square without additional
 reinforcement – Centre and edge distance

Annex 23
 of European Technical Assessment
ETA-05/0123 of 27.06.2018



Nominal diameter		17.5	26.5	32	36	40	47												
Dimensions	a	100	130	140	150	160	200												
	b	130	150	180	220	250	280												
	c	30	35	40	50	60	60												
	~e	46	60	32 WR 32 E 70	32 WS 30	36 WR 36 E 76	36 WS 36	90	108										
	max. Ø s	63	63	70	76.5	90	101.6												
Minimum actual concrete strength, $f_{cm, 0, cyl}$, at stressing in N/mm ²		20	30	40	20	30	40	20	30	40	20	30	40	20	30	40	20	30	40
Centre distance ¹⁾ A _x	A _x	130	120	120	180	160	150	210	190	180	230	210	180	260	220	200	290	260	220
Centre distance ¹⁾ A _y	A _y	160	150	150	240	190	160	300	230	190	340	260	240	380	320	270	440	380	300
Edge distance ¹⁾ , plus c _c	R _x	55	50	50	80	70	65	95	85	80	105	95	80	120	100	90	135	120	100
Edge distance ¹⁾ , plus c _c	R _y	70	65	65	110	85	70	140	105	85	160	120	110	180	150	125	210	180	140
Additional reinforcement	n	4	4	4	4	3	3	5	4	4	5	4	4	6	5	5	5	5	5
	Ø	10	10	10	12	12	12	12	12	12	12	12	12	12	12	12	12	12	12
	m	30	30	30	60	60	60	60	60	60	60	60	60	60	60	60	60	60	60
	l	20	20	20	20	20	20	20	20	20	20	20	20	20	20	20	35	35	35
	h _x	110	100	100	160	140	130	190	170	160	210	190	160	240	200	180	270	240	200
	h _y	140	130	130	220	170	140	280	210	170	320	240	220	360	300	250	420	360	280



Reinforcement as schematic example

Additional reinforcement
 Stirrup or orthogonal reinforcement. Orthogonal reinforcement is properly anchored.

$R_x + c_c$ }Minimum edge distance
 $R_y + c_c$ }

c_c Concrete cover

¹⁾ Minimum centre and edge distances

Dimensions in mm

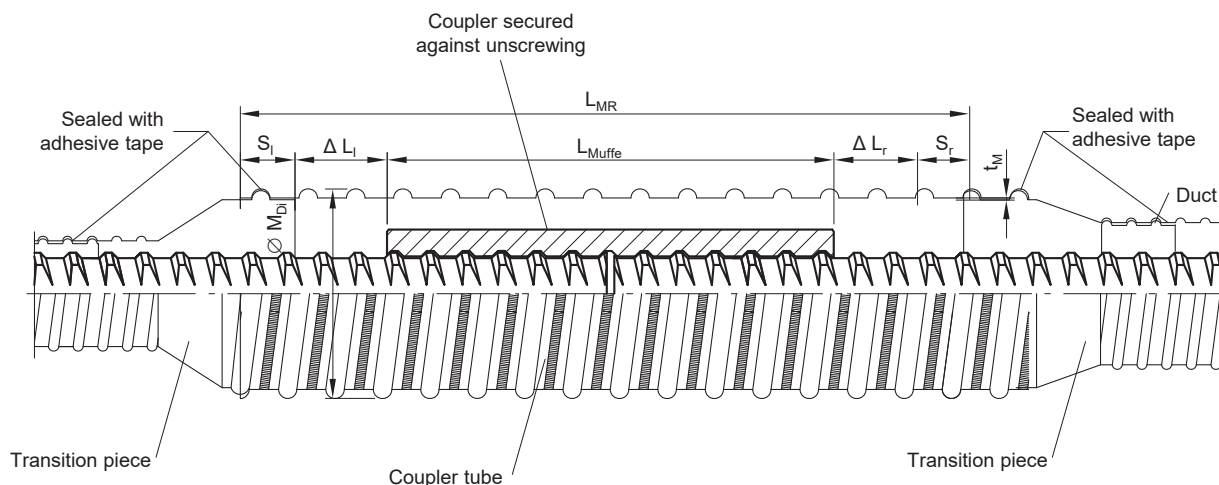


DYWIDAG-Systems
 International GmbH
 www.dywidag-systems.com

DYWIDAG-PT bar tendon
Unbonded and external bar tendon
 Stressing and fixed anchor – Solid plate,
 rectangular 2012 with additional reinforcement
 Centre and edge distance

Annex 24
 of European Technical Assessment
ETA-05/0123 of 27.06.2018

Movable coupling D



$$L_{MR} = L_{Muffe} + \Delta L_L + \Delta L_R + s_L + s_R$$

- L_{MR} Length of coupler tube
- L_{Muffe} Length of coupler/transition coupler
- $\Delta L_L, \Delta L_R$ Displacement of coupler to left and right respectively
- s_L, s_R Safety clearance, $0.2 \cdot \Delta L \geq 40 \text{ mm}$

Bar designation		18 WR	26 WR 26 E	32 WR 32 E	36 WR 36 E	40 WR 40 E	47 WR	32 WS	36 WS
Coupler tube	$\varnothing M_{Di}$	50	65	75	85	85	100	75	85
Thickness of metal sheet	t_M	0.35	0.35	0.35	0.35	0.35	0.4	0.35	0.35

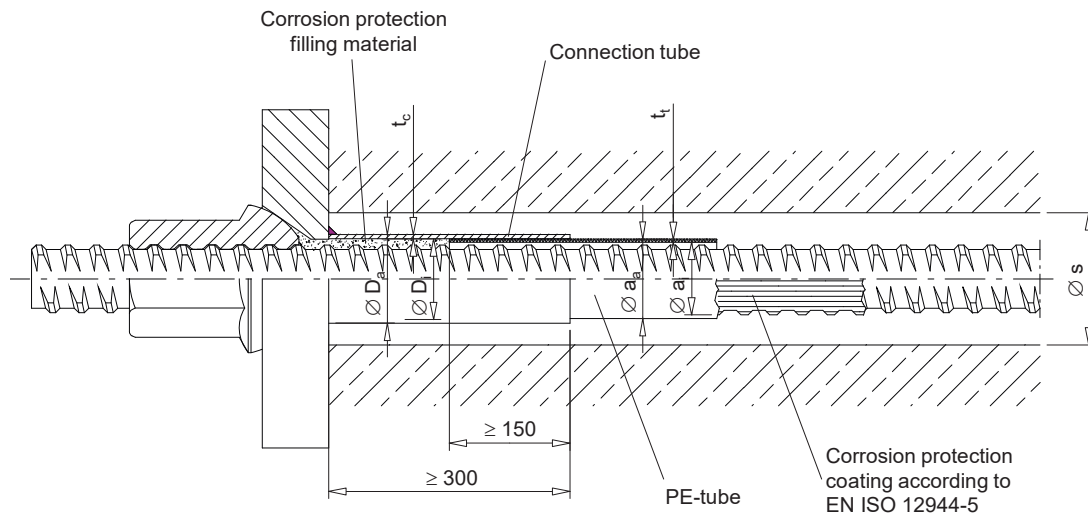
Dimensions in mm



DYWIDAG-Systems
 International GmbH
 www.dywidag-systems.com

DYWIDAG-PT bar tendon
Unbonded and external bar tendon
 Movable coupling

Annex 25
 of European Technical Assessment
ETA-05/0123 of 27.06.2018



Bar designation		18 WR	26 WR 26 E	32 WR 32 E	36 WR 36 E	40 WR 40 E	47 WR	32 WS	36 WS
Connection tube	$\varnothing D_a$	60.3	60.3	63.5	76.1	76.1	88.9	63.5	70
	$\varnothing D_i$	54.5	54.5	57.7	69.7	69.7	82.5	57.7	64.2
	min. t_c	2.9	2.9	2.9	3.2	3.2	3.2	2.9	2.9
PE-tube	$\varnothing a_a$	46	46	52	63	63	75	52	54
	$\varnothing a_i$	42	42	48	59	59	70.2	48	50
	min. t_t	2	2	2	2	2	2.4	2	2
Tendon duct diameter at the anchorage, max.	$\varnothing s$	63	63	70	76.5	90	101.6	70	76.5

Dimensions in mm



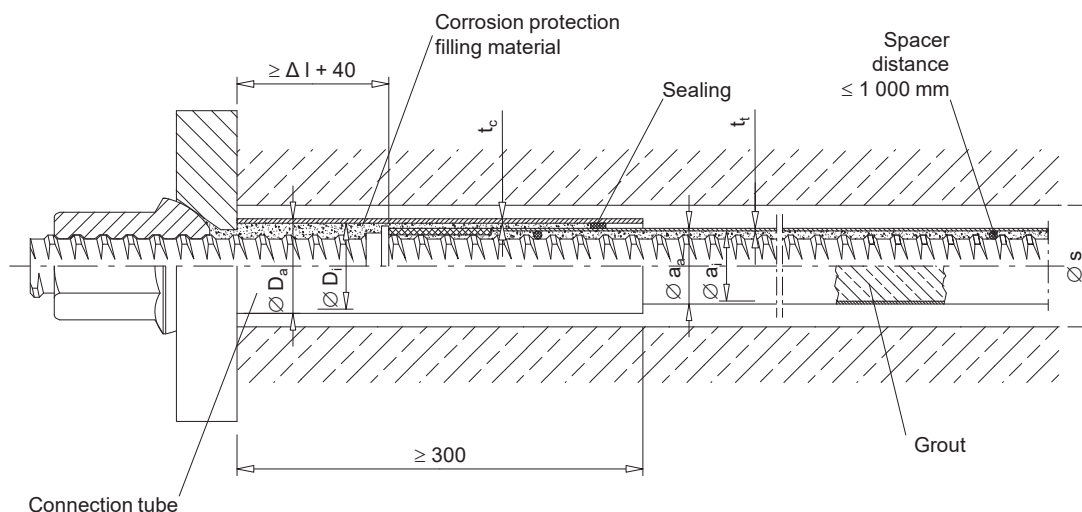
DYWIDAG-Systems
 International GmbH
 www.dywidag-systems.com

**DYWIDAG-PT bar tendon
 Unbonded and external bar tendon**

Tendon with free tendon duct
 Temporary corrosion protection

Annex 26

of European Technical Assessment
ETA-05/0123 of 27.06.2018



Bar designation	18 WR	26 WR 26 E	32 WR 32 E	36 WR 36 E	40 WR 40 E	47 WR	
Connection tube	$\varnothing D_a$	60.3	60.3	63.5	76.1	76.1	88.9
	$\varnothing D_i$	54.5	54.5	57.7	69.7	69.7	82.5
	min. t_c	2.9	2.9	2.9	3.2	3.2	3.2
Steel tube ¹⁾	max. $\varnothing a_a$	48.3	48.3	54	60.3	60.3	76.1
	min. $\varnothing a_i$	29.6	39.8	45.7	50.1	53.9	61.4
PE-tube	$\varnothing a_a$	46	46	52	63	63	75
	$\varnothing a_i$	42	42	48	59	59	70.2
	min. t_t	2	2	2	2	2	2.4
Tendon duct diameter at the anchorage, max.	$\varnothing s$	63	63	70	76.5	90	101.6

¹⁾ Wall thickness of steel tube ≥ 2 mm

Dimensions in mm



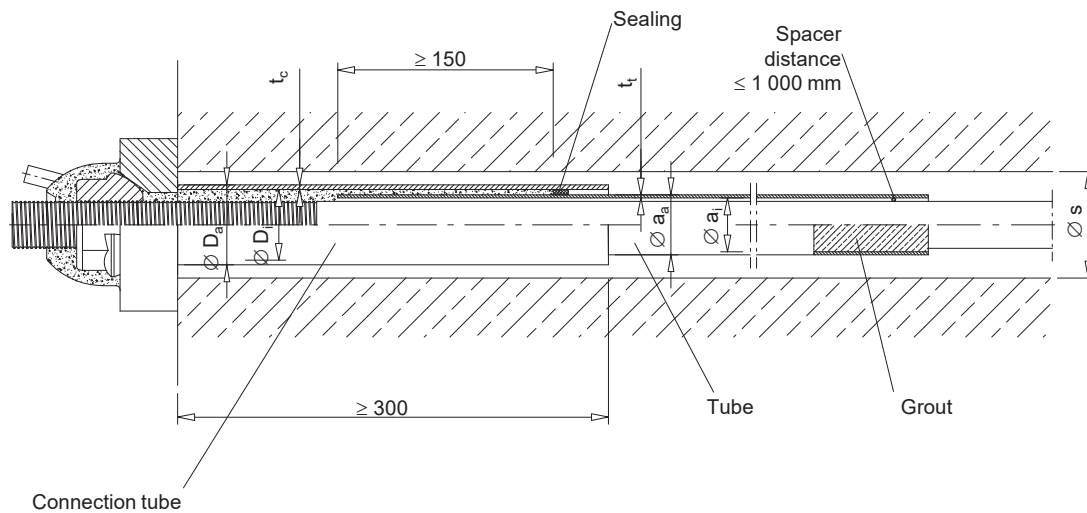
DYWIDAG-Systems
 International GmbH
 www.dywidag-systems.com

**DYWIDAG-PT bar tendon
 Unbonded and external bar tendon**

Tendon with free tendon duct
 Permanent corrosion protection
 Grouting before installation

Annex 27

of European Technical Assessment
ETA-05/0123 of 27.06.2018



Bar designation		18 WR	26 WR 26 E	32 WR 32 E	36 WR 36 E	40 WR 40 E	47 WR	32 WS	36 WS
Connection tube	$\varnothing D_a$	60.3	60.3	63.5	76.1	76.1	88.9	63.5	70
	$\varnothing D_i$	54.5	54.5	57.7	69.7	69.7	82.5	57.7	64.2
	min. t_c	2.9	2.9	2.9	3.2	3.2	3.2	2.9	2.9
Steel tube ¹⁾	max. $\varnothing a_a$	48.3	48.3	54	60.3	60.3	76.1	51	60.3
	min. $\varnothing a_i$	29.6	39.8	45.7	50.1	53.9	61.4	42	46
PE-tube	$\varnothing a_a$	46	46	52	63	63	75	52	54
	$\varnothing a_i$	42	42	48	59	59	70.2	48	50
	min. t_t	2	2	2	2	2	2.4	2	2
Tendon duct diameter at the anchorage, max.	$\varnothing s$	63	63	70	76.5	90	101.6	70	76.5

¹⁾ Wall thickness of steel tube ≥ 2 mm

Dimensions in mm



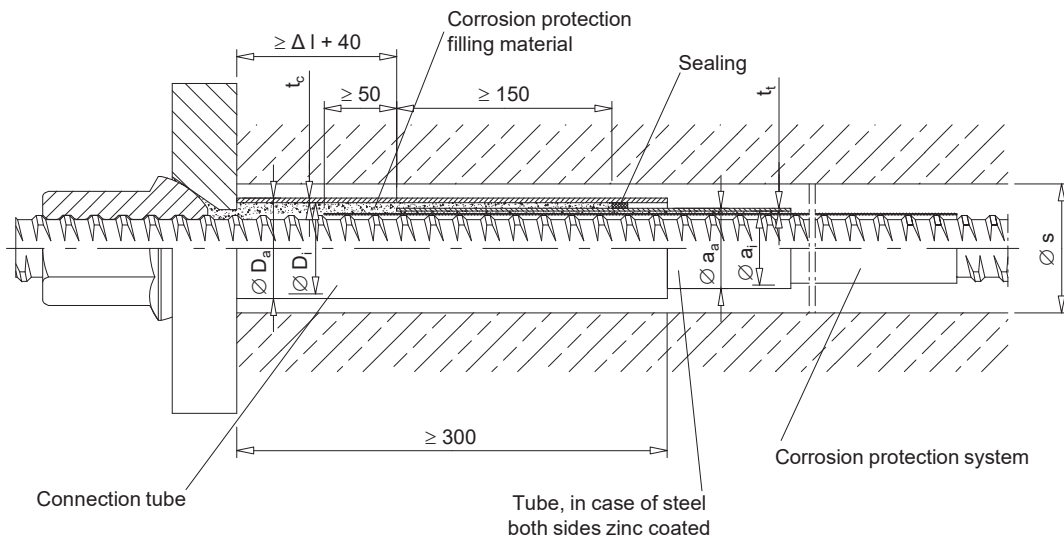
DYWIDAG-Systems
 International GmbH
 www.dywidag-systems.com

**DYWIDAG-PT bar tendon
 Unbonded and external bar tendon**

Tendon with free tendon duct
 Permanent corrosion protection
 Grouting after stressing

Annex 28

of European Technical Assessment
ETA-05/0123 of 27.06.2018



Bar designation		18 WR	26 WR 26 E	32 WR 32 E	36 WR 36 E	40 WR 40 E	47 WR	32 WS	36 WS
Tendon duct diameter at the anchorage, max.	δs	63	63	70	76.5	90	101.6	70	76.5
Connection tube (application PE-tube)	δD_a	60.3	60.3	63.5	76.1	76.1	88.9	63.5	70
	δD_i	54.5	54.5	57.7	69.7	69.7	82.5	57.7	64.2
	min. t_c	2.9	2.9	2.9	3.2	3.2	3.2	2.9	2.9
PE-tube	δa_a	46	46	52	63	63	75	52	54
	δa_i	42	42	48	59	59	70.2	48	50
	min. t_t	2	2	2	2	2	2.4	2	2
Connection tube (application steel tube)	max. δD_a	57	57	63	70	73	76.1	63	70
	min. δD_i	43	43	52	58	67	68.5	48	58
Steel tube ¹⁾	max. δa_a	42	42	51	57	61	63.5	51	57
	min. δa_i	34	37	43	48	52	58	40	44

¹⁾ Wall thickness of steel tube ≥ 2 mm

Dimensions in mm



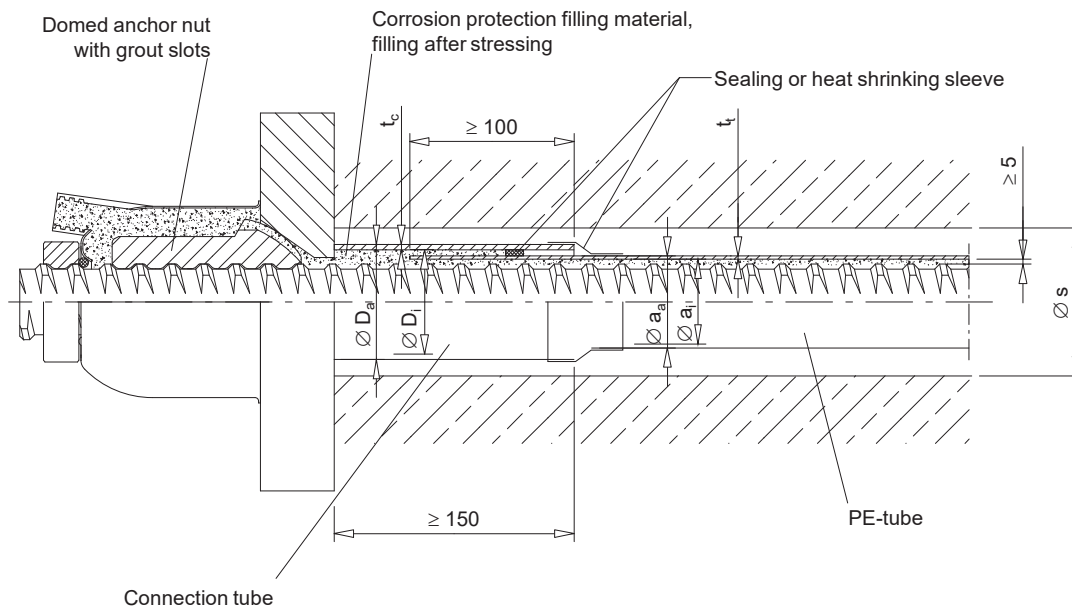
DYWIDAG-Systems
 International GmbH
 www.dywidag-systems.com

**DYWIDAG-PT bar tendon
 Unbonded and external bar tendon**

Tendon with free tendon duct
 Permanent corrosion protection

Annex 29

of European Technical Assessment
ETA-05/0123 of 27.06.2018



Bar designation	18 WR	26 WR 26 E	32 WR 32 E	36 WR 36 E	40 WR 40 E	47 WR	32 WS	36 WS	
Connection tube	$\varnothing D_a$	60.3	60.3	63.5	76.1	76.1	88.9	63.5	70
	$\varnothing D_i$	54.5	54.5	57.7	69.7	69.7	82.5	57.7	64.2
	min. t_c	2.9	2.9	2.9	3.2	3.2	3.2	2.9	2.9
PE-tube	$\varnothing a_a$	46	46	52	63	63	75	52	54
	$\varnothing a_i$	42	42	48	59	59	70.2	48	50
	min. t_t	2	2	2	2	2	2.4	2	2
Tendon duct diameter at the anchorage, max.	$\varnothing s$	63	63	70	76.5	90	101.6	70	76.5

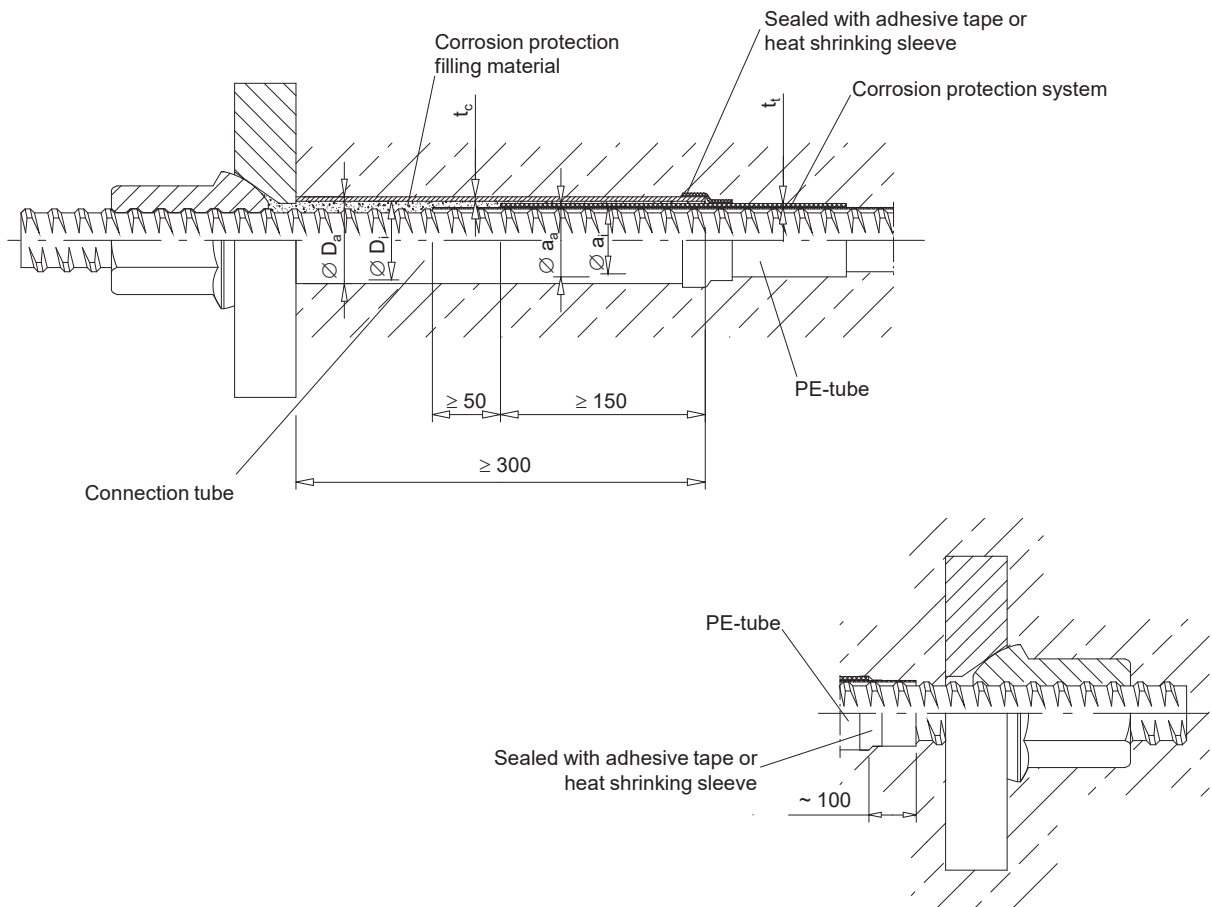
Dimensions in mm



DYWIDAG-Systems
 International GmbH
 www.dywidag-systems.com

DYWIDAG-PT bar tendon
Unbonded and external bar tendon
 Tendon with free tendon duct
 Permanent corrosion protection
 with corrosion protection filling material

Annex 30
 of European Technical Assessment
ETA-05/0123 of 27.06.2018



Bar designation		18 WR	26 WR 26 E	32 WR 32 E	36 WR 36 E	40 WR 40 E	47 WR
Connection tube	$\varnothing D_a$	60.3	60.3	63.5	76.1	76.1	88.9
	$\varnothing D_i$	54.5	54.5	57.7	69.7	69.7	82.5
	min. t_c	2.9	2.9	2.9	3.2	3.2	3.2
PE-tube	$\varnothing a_a$	46	46	52	63	63	75
	$\varnothing a_i$	42	42	48	59	59	70.2
	min. t_t	2	2	2	2	2	2.4

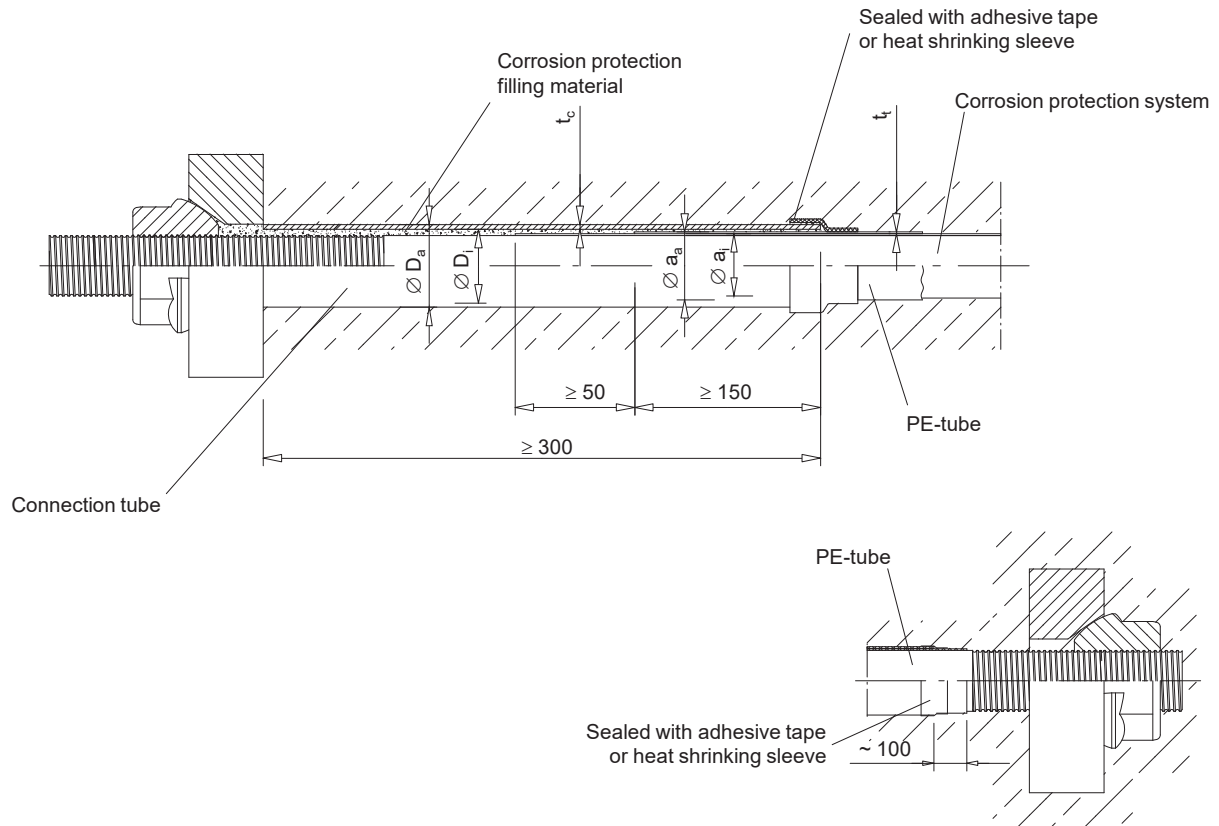
Dimensions in mm



DYWIDAG-Systems
 International GmbH
 www.dywidag-systems.com

DYWIDAG-PT bar tendon
Unbonded bar tendon
 Tendon without free tendon duct
 Permanent corrosion protection for
 threadbars

Annex 31
 of European Technical Assessment
ETA-05/0123 of 27.06.2018



Bar designation	32 WS	36 WS	
Connection tube	$\varnothing D_a$	63.5	70
	$\varnothing D_i$	57.7	64.2
	min. t_c	2.9	2.9
PE-tube	$\varnothing a_a$	52	54
	$\varnothing a_i$	48	50
	min. t_t	2	2

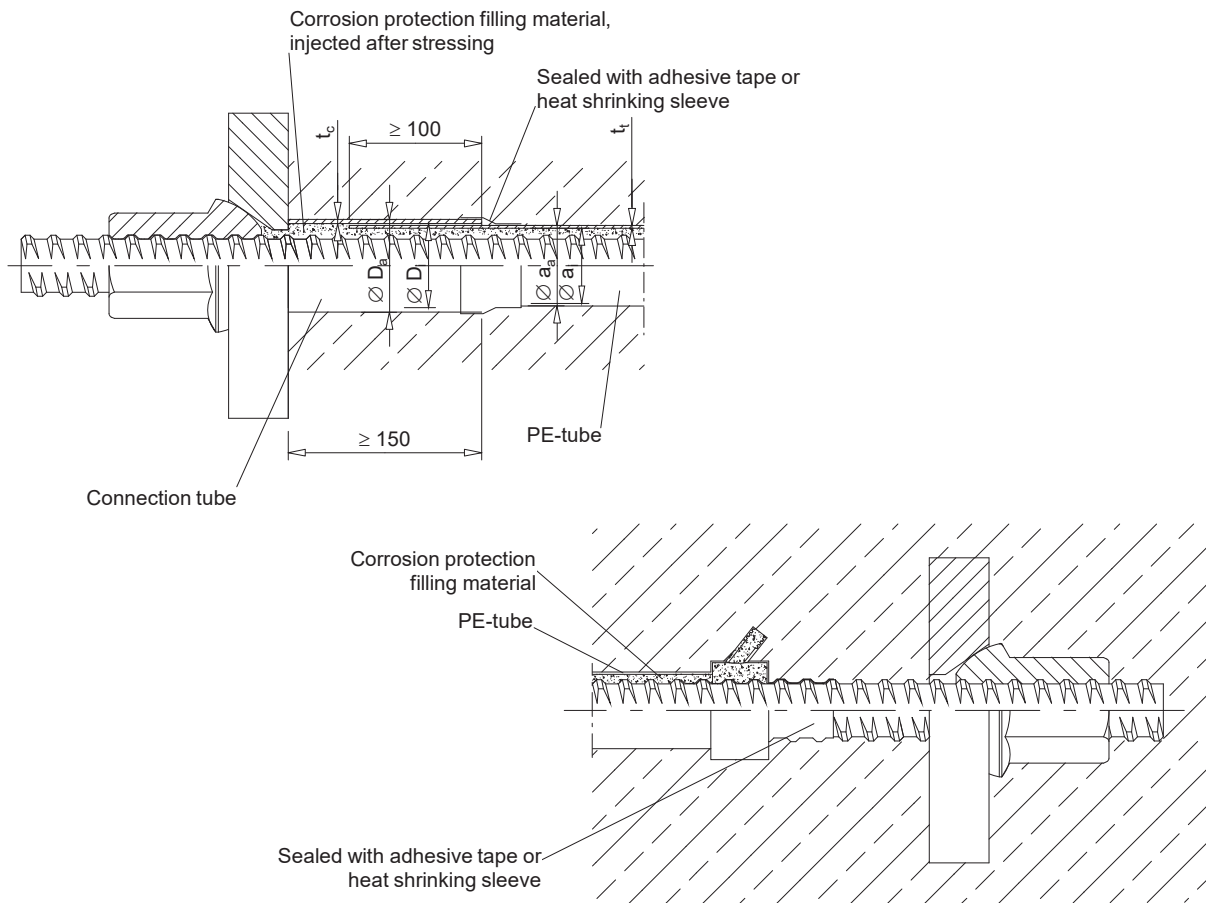
Dimensions in mm



DYWIDAG-Systems
 International GmbH
 www.dywidag-systems.com

DYWIDAG-PT bar tendon
Unbonded bar tendon
 Tendon without free tendon duct
 Permanent corrosion protection for plain bars

Annex 32
 of European Technical Assessment
ETA-05/0123 of 27.06.2018



Bar designation		18 WR	26 WR 26 E	32 WR 32 E	36 WR 36 E	40 WR 40 E	47 WR
Connection tube	$\varnothing D_a$	60.3	60.3	63.5	76.1	76.1	88.9
	$\varnothing D_i$	54.5	54.5	57.7	69.7	69.7	82.5
	min. t_c	2.9	2.9	2.9	3.2	3.2	3.2
PE-tube	$\varnothing a_a$	46	46	52	63	63	75
	$\varnothing a_i$	42	42	48	59	59	70.2
	min. t_t	2	2	2	2	2	2.4

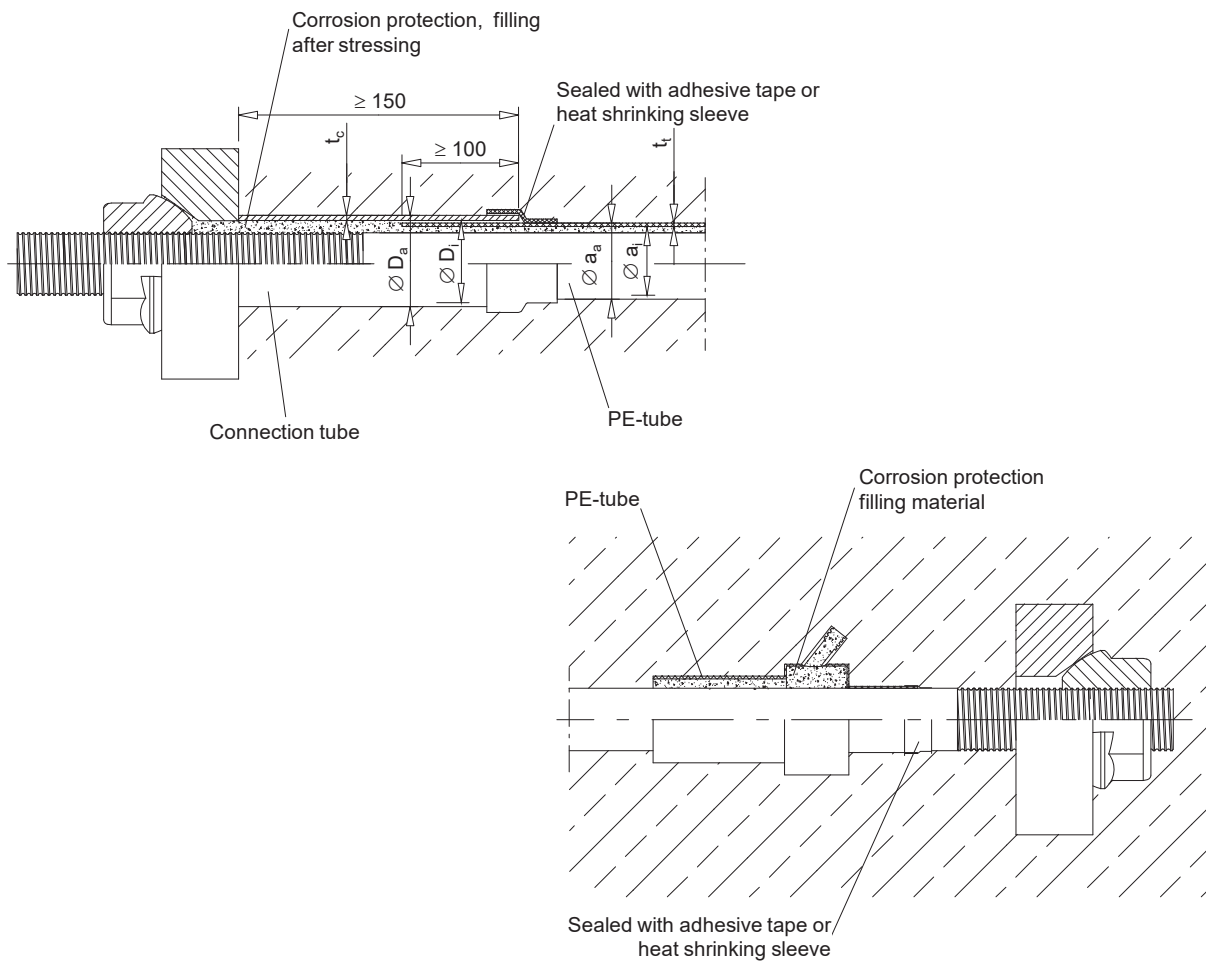
Dimensions in mm



DYWIDAG-Systems
 International GmbH
 www.dywidag-systems.com

DYWIDAG-PT bar tendon
Unbonded bar tendon
 Tendon without free tendon duct
 Permanent corrosion protection
 with corrosion protection filling material

Annex 33
 of European Technical Assessment
ETA-05/0123 of 27.06.2018



Bar designation		32 WS	36 WS
Connection tube	$\varnothing D_a$	63.5	70
	$\varnothing D_i$	57.7	64.2
	min. t_c	2.9	2.9
PE-tube	$\varnothing a_a$	52	54
	$\varnothing a_i$	48	50
	min. t_t	2	2

Dimensions in mm

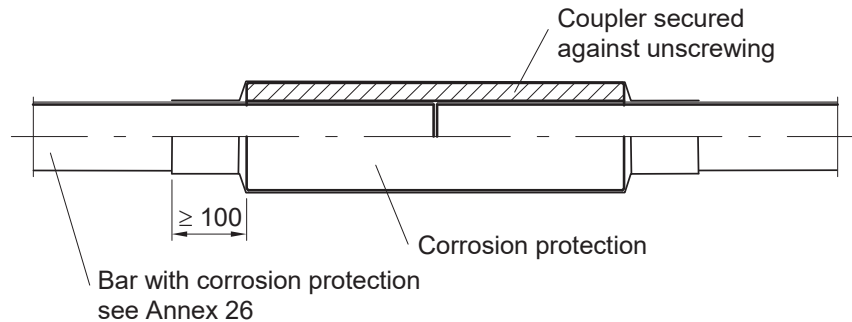


DYWIDAG-Systems
 International GmbH
 www.dywidag-systems.com

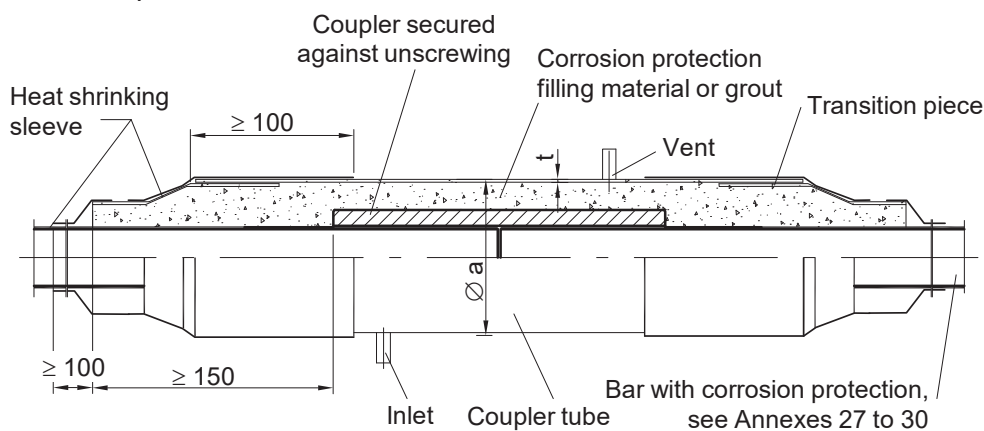
DYWIDAG-PT bar tendon
Unbonded bar tendon
 Tendon without free tendon duct
 Permanent corrosion protection
 with corrosion protection filling material

Annex 34
 of European Technical Assessment
ETA-05/0123 of 27.06.2018

Temporary corrosion protection



Permanent corrosion protection



Apply grout inlets and vents only when necessary. Steel tubes are corrosion protected on outer surface.
 Ø s not shown.

Bar designation		18 WR	26 WR 26 E	32 WR 32 E	36 WR 36 E	40 WR 40 E	47 WR	32 WS	36 WS
Temporary corrosion protection									
Minimum tendon duct diameter	Ø s	65	65	75	82	90	100	75	82
Permanent corrosion protection									
Coupler tube, PE-HD	Ø a	63	75	75	90	90	100	75	90
	min. t	2	2	2	2.2	2.2	2.2	2	2.2
Minimum tendon duct diameter	Ø s	75	85	85	100	100	110	90	100
Coupler tube, steel	Ø a	63	70	80	90	90	100	80	90
	min. t	2	2	2	2	2	2	2	2
Minimum tendon duct diameter	Ø s	70	80	90	100	100	110	85	100

Dimensions in mm



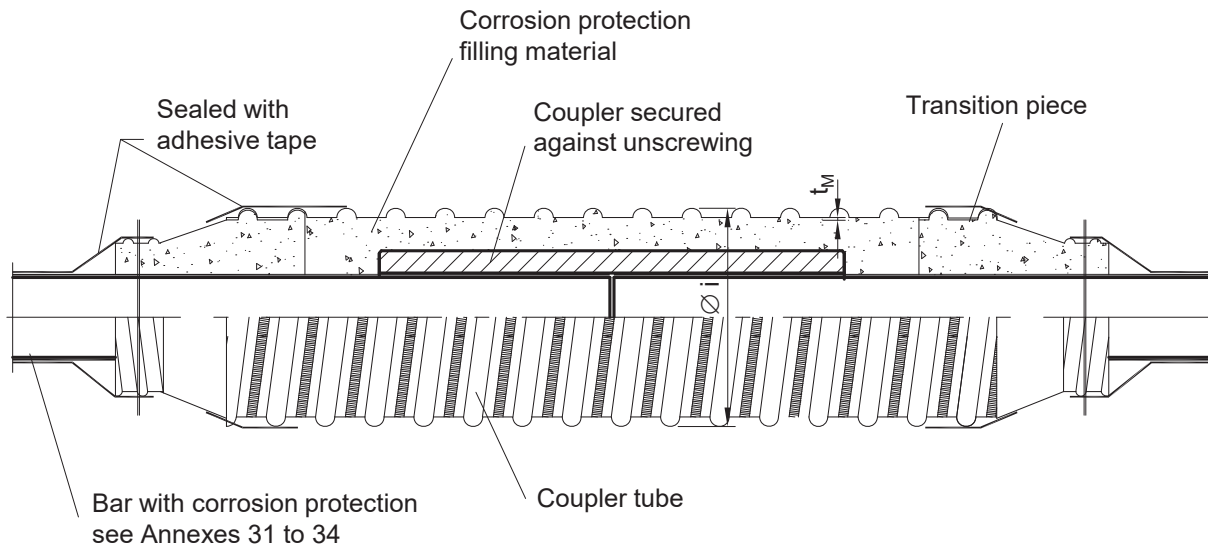
DYWIDAG-Systems
 International GmbH
 www.dywidag-systems.com

**DYWIDAG-PT bar tendon
 Unbonded and external bar tendon**

Tendon with free tendon duct
 Corrosion protection
 Coupling

Annex 35

of European Technical Assessment
ETA-05/0123 of 27.06.2018



Bar designation		18 WR	26 WR 26 E	32 WR 32 E	36 WR 36 E	40 WR 40 E	47 WR	32 WS	36 WS
Permanent corrosion protection									
Coupler tube, nom. diameter	$\varnothing i$	50	65	75	85	85	100	75	85
Coupler tube, sheet thickness	t_M	0.35	0.35	0.35	0.35	0.35	0.4	0.35	0.35

Dimensions in mm

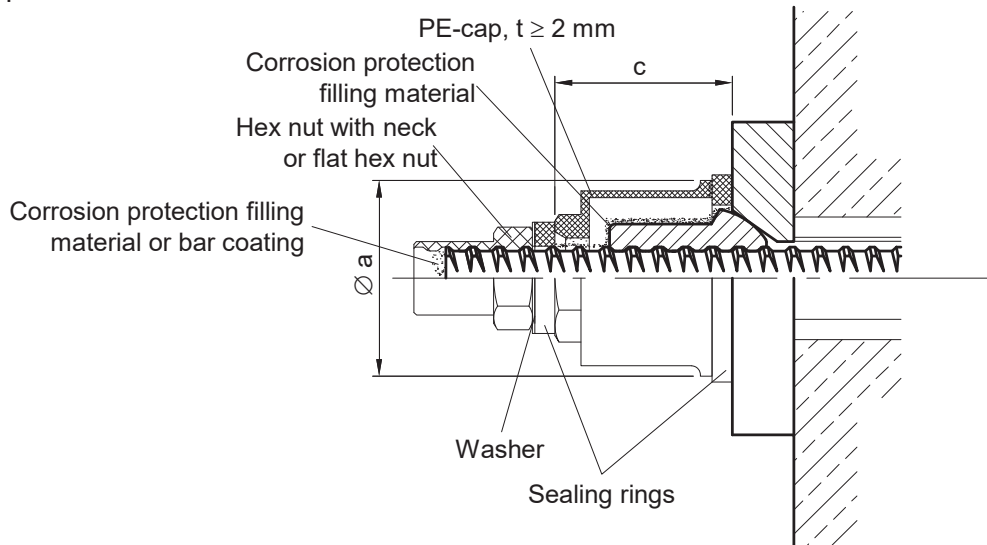


DYWIDAG-Systems
 International GmbH
 www.dywidag-systems.com

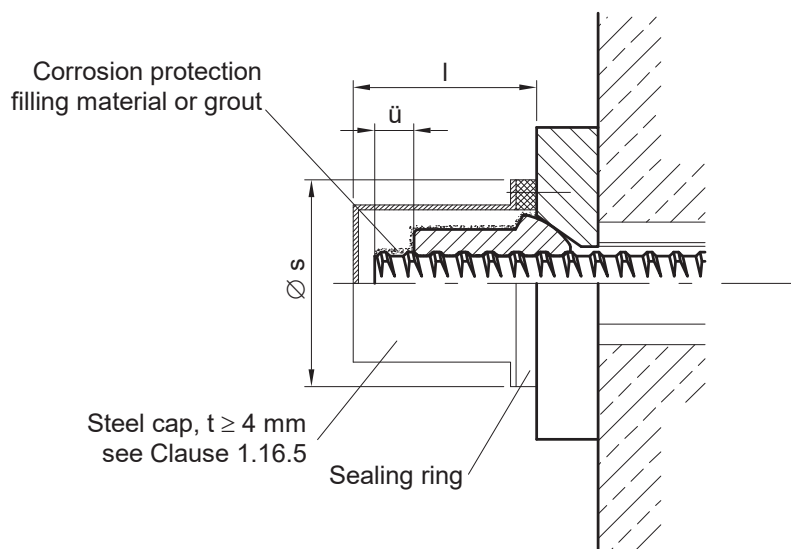
DYWIDAG-PT bar tendon
Unbonded bar tendon
 Tendon without free tendon duct
 Corrosion protection
 Coupling

Annex 36
 of European Technical Assessment
ETA-05/0123 of 27.06.2018

Corrosion protection at low mechanical stresses



Corrosion protection at high mechanical stresses



Bar designation		18 WR	26 WR 26 E	32 WR 32 E	36 WR 36 E	40 WR 40 E	47 WR	32 WS	36 WS
In case of low mechanical stresses PE-cap	$\varnothing a$	95	95	105	115	125	135	95	115
	c	110	110	110	115	120	135	58	83
In case of high mechanical stresses steel cap	min. $\varnothing s$	109	129	139	148	159	171	129	148
	min. l ¹⁾	105	105	105	110	115	130	55	80

¹⁾ Minimum l for a bar projection length of $\ddot{u} = 5$ mm

Dimensions in mm

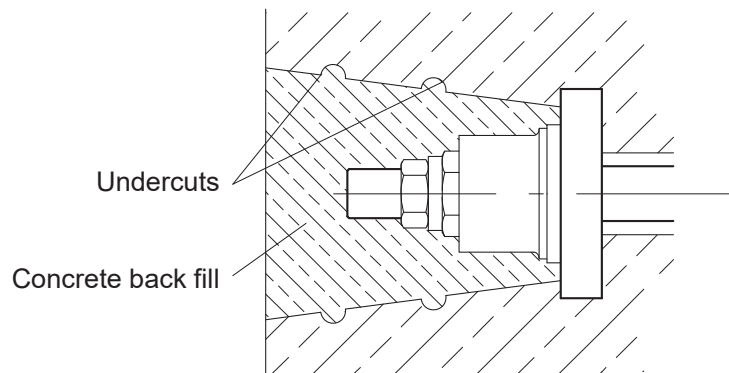


DYWIDAG-Systems
 International GmbH
 www.dywidag-systems.com

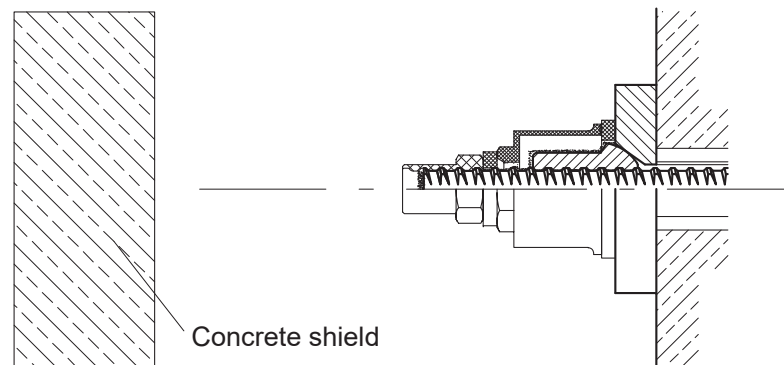
DYWIDAG-PT bar tendon
Bonded, unbonded, and external bar tendon
 Anchorage
 Corrosion protection

Annex 37
 of European Technical Assessment
ETA-05/0123 of 27.06.2018

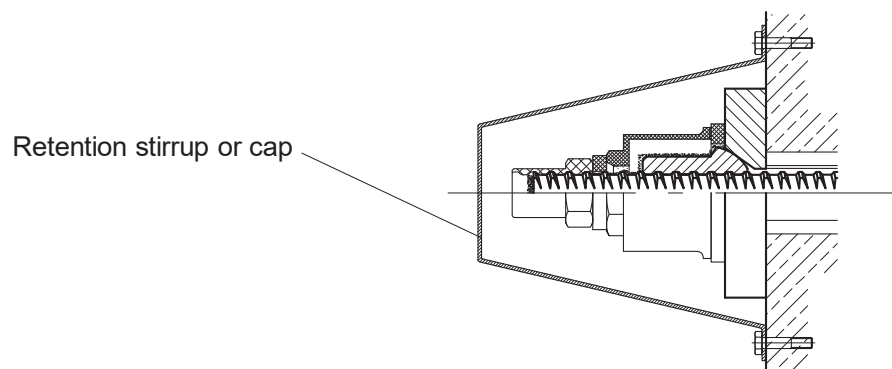
Anchorage with concrete cover



Free anchorage with concrete shield



Free anchorage with retention stirrup or cap




DYWIDAG-Systems
International GmbH
www.dywidag-systems.com

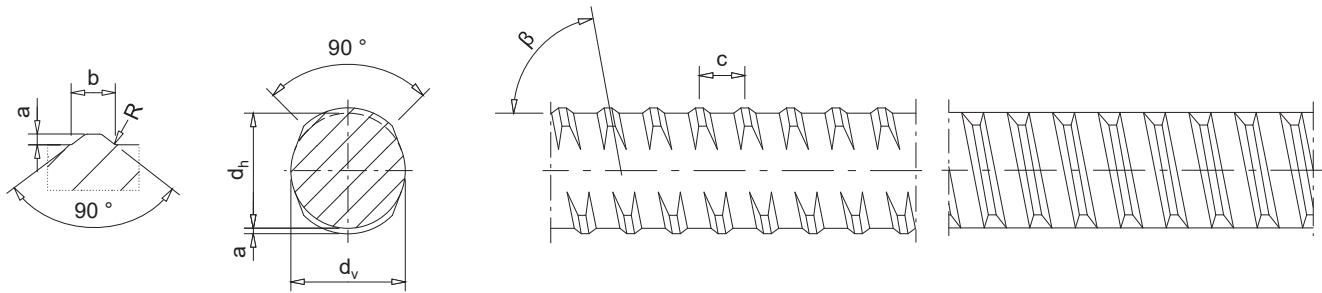
DYWIDAG-PT bar tendon
Unbonded and external bar tendon
Measures against bursting out of
prestressing steel bar
Examples

Annex 38
of European Technical Assessment
ETA-05/0123 of 27.06.2018

Material specifications		
Component	Standard / Specification	
Solid plate, square	EN 10025	
Solid plate, rectangular	EN 10025	
Solid plate, small rectangular	EN 10025	
QR-plate	EN 10083-2	
Domed anchor nut, \varnothing 17.5, 26.5, 32, 36 mm	EN 10025	
Domed anchor nut, \varnothing 40, 47 mm	EN 10293	
Domed anchor nut with grout slots, \varnothing 17.5, 26.5, 32, 36 mm	EN 10025	
Domed anchor nut with grout slots, \varnothing 40, 47 mm	EN 10293	
Couplers, \varnothing 17.5, 26.5, 32, 36 mm	EN 10083-2	
Couplers, \varnothing 40, 47 mm	Deposited at Österreichisches Institut für Bautechnik	
Additional reinforcement	Ribbed reinforcing steel, $R_e \geq 500$ N/mm ²	
Steel strip duct, Duct sleeve C, Coupler tube	EN 523 EN 10139	
Retaining nut	Deposited at Österreichisches Institut für Bautechnik	
Duct sleeve A, duct sleeve B, PE cap, hex nut with washer face, spacer	EN ISO 17855-1	
Smooth PE tube	EN 12201-1	
Sealing ring, Toroidal sealing ring	Deposited at Österreichisches Institut für Bautechnik	
Grout cap	EN 10130	
Steel tube	EN 10216, EN 10217, EN 10305	

 <p>DYWIDAG-Systems International GmbH www.dywidag-systems.com</p>	<p>DYWIDAG-PT bar tendon Bonded, unbonded, and external bar tendon Material specifications</p>	<p>Annex 39 of European Technical Assessment ETA-05/0123 of 27.06.2018</p>
---	--	--

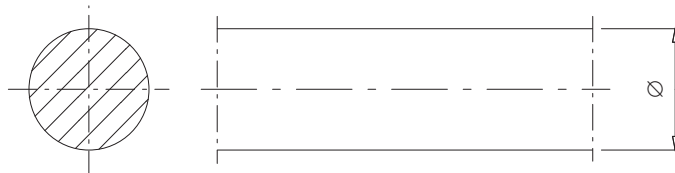
Threadbar, WR and E, surface configuration and dimensions



Nominal diameter	Nominal mass per metre ¹⁾	Nom. cross-sectional area	Core diameter		Depth	Width	Pitch	Gradient	Radius
			d _h	d _v					
∅	M	S _n	d _h	d _v	min. a	b	c	β	R
mm	kg/m	mm ²	mm	mm	mm	mm	mm	deg	mm
17.5	1.96	241	17.4	17.2	1.1	4.1	8	82.5	1.8
26.5	4.48	552	26.4	25.9	1.7	6.2	13	81.5	2.6
32	6.53	804	31.9	31.4	1.9	7.6	16	81.5	3.2
36	8.27	1 018	35.9	35.4	2.1	8.7	18	81.5	3.6
40	10.205	1 257	39.7	38.9	2.1	9.6	20	81.5	4.0
47	14.10	1 735	46.7	45.9	2.1	10.7	21	81.5	4.0

¹⁾ The nominal mass per metre includes a portion of 3.5 % non load bearing ribs.
 Tolerance to nominal mass ± 4.5 %

Plain bar, WS, dimensions



Nominal diameter	Nominal mass per metre ¹⁾	Nom. cross-sectional area
∅	M	S _n
mm	kg/m	mm ²
32	6.313	804
36	7.99	1 018

¹⁾ Tolerance to nominal mass ± 4.5 %



DYWIDAG-Systems
 International GmbH
 www.dywidag-systems.com

DYWIDAG-PT bar tendon
Bonded, unbonded, and external bar tendon
 Prestressing steel bars
 Threadbars and plain bars
 Specifications

Annex 40
 of European Technical Assessment
ETA-05/0123 of 27.06.2018

Mechanical characteristics

Nominal diameter		0.1% - proof stress	Tensile strength	Characteristic		—			
				0.1% - proof force	Maximum force				
\varnothing		$R_{p0.1}$ $f_{p0.1}$	R_m f_{pk}	$F_{p0.1}$	F_{pk}	α ¹⁾			
mm		N/mm ²	N/mm	kN	kN	%			
WR	17.5	950	1 050	230	255	5			
	26.5			525	580				
WR WS	32			760	845				
	36			960	1 070				
WR	40			1 190	1 320				
	47			1 650	1 820				
E	26.5			835	1 030		461	568	5
	32						672	828	
	36	850	1 048						
	40	1 049	1 294						

Additional characteristics

Total elongation at maximum force ²⁾ , calculated as $A_g + \frac{R_{m,a}}{E} \cdot 100$	A_{gt}	%	5	5 ¹⁾
Force range F_r , at upper load $F_{up} = 0.70 \cdot F_{m,a}$ and $N = 2 \cdot 10^6$ load cycles	Plain bar		200 N/mm ² · S_n	
	Threadbar	18–40 WR	180 N/mm ² · S_n	
		47 WR	120 N/mm ² · S_n	
Isothermal stress relaxation	Losses from an initial force of $0.70 \cdot F_{m,a}$ after 1 000 h ≤ 3 %			

1) Quantile for a statistical probability of $W = 1 - \alpha = 0.95$ (one sided)

2) $E \approx 205\,000$ N/mm² and A_g as plastic extension at maximum force



DYWIDAG-Systems
International GmbH
www.dywidag-systems.com

DYWIDAG-PT bar tendon
Bonded, unbonded, and external bar tendon

Prestressing steel bars
Threadbars and plain bars
Specifications

Annex 41

of European Technical Assessment
ETA-05/0123 of 27.06.2018

Maximum prestressing and overstressing forces

Designation	Nominal bar diameter	Nominal cross-sectional area	Maximum prestressing force ¹⁾	Maximum overstressing force ^{1), 2)}
—	∅	S_n	$0.9 \cdot F_{p0.1}$	$0.95 \cdot F_{p0.1}$
—	mm	mm ²	kN	kN
Threadbar				
26 E	26.5	552	415	438
32 E	32	804	605	638
36 E	36	1 018	765	808
40 E	40	1 257	944	997
—	d_s	S_n	$0.8 \cdot F_{pk}$	$0.95 \cdot F_{p0.1}$
—	mm	mm ²	kN	kN
Threadbar				
18 WR	17.5	241	204	219
26 WR	26.5	552	464	499
32 WR	32	804	676	722
36 WR	36	1 018	856	912
40 WR	40	1 257	1 056	1 131
47 WR	47	1 735	1 457	1 566
—	d_s	S_n	$0.8 \cdot F_{pk}$	$0.95 \cdot F_{p0.1}$
—	mm	mm ²	kN	kN
Plain bar				
32 WS	32	804	676	722
36 WS	36	1 018	856	912

1) The given values are maximum values according to Eurocode 2, i.e. $\min(k_1 \cdot f_{pk}, k_2 \cdot f_{p0.1})$ applies.

$$F_{pk} = S_n \cdot f_{pk}$$

$$F_{p0.1} = S_n \cdot f_{p0.1}$$

2) Overstressing is permitted if the force in the prestressing jack can be measured to an accuracy of $\pm 5\%$ of the final value of the prestressing force.




DYWIDAG-Systems
International GmbH
www.dywidag-systems.com

DYWIDAG-PT bar tendon
Bonded, unbonded, and external bar tendon

Maximum prestressing and
overstressing forces

Annex 42
of European Technical Assessment
ETA-05/0123 of 27.06.2018

Slip at anchorages and couplings					
Designation	Anchor plate	Slip at load transfer from prestressing jack to anchorage	Slip, considered for calculation of elongation		
		Stressing anchor	Stressing anchor	Fixed anchor	Coupling
mm	—	mm	mm	mm	mm
Threadbar					
18 WR	Solid plate, square	1.7 ¹⁾	1.5	3.2	2.0
	Solid plates, rectangular	0.2 ²⁾	1.0	2.7	
	QR-plate				
26 WR 32 WR 36 WR 40 WR 26 E 32 E 36 E 40 E	Solid plate, square	1.7 ¹⁾	1.5	3.2	
	Solid plates, rectangular	0.9 ²⁾	1.0	2.7	
	QR-plate				
47 WR	Solid plate, square	1.7 ¹⁾	1.0	2.7	3.0
	Solid plates, rectangular	0.9 ²⁾			
Plain bar					
32 WS 36 WS	Solid plate, square	0.7 ¹⁾	1.5	2.2	1.0
	Solid plates, rectangular		1.0	1.7	
36 WS	QR-plate				
<p>1) Slip at transfer of prestressing force from prestressing jack to anchorage</p> <p>2) Slip at transfer of prestressing force from prestressing jack to anchorage after three stressing-transfer-cycles</p>					
 DYWIDAG-Systems International GmbH www.dywidag-systems.com		DYWIDAG-PT bar tendon Bonded, unbonded, and external bar tendon Slip at anchorages and couplings		Annex 43 of European Technical Assessment ETA-05/0123 of 27.06.2018	

Minimum elastic and minimum cold bent radius of curvature

Designation	Minimum elastic radius of curvature	Minimum cold bent radius of curvature
—	min R_{el}	min R_{kv}
—	m	m
Threadbar		$200 \cdot d$
26 E	65	5.3
32 E	75	6.4
36 E	85	7.2
40 E	100	8.0
18 WR	30	3.5
26 WR	40	5.3
32 WR	40	6.4
36 WR	50	7.2
40 WR	60	8.0
47 WR	80	9.4
Plain bar		$150 \cdot d$
32 WS	40	4.8
36 WS	50	5.4



DYWIDAG-Systems
International GmbH
www.dywidag-systems.com

DYWIDAG-PT bar tendon
Bonded bar tendon
Minimum elastic and
minimum cold bent radius of curvature

Annex 44
of European Technical Assessment
ETA-05/0123 of 27.06.2018

Subject / type of control		Test or control method	Criteria, if any	Minimum number of samples	Minimum frequency of control
Solid plate, square 2011, Solid plate, rectangular 2012, Solid plate, small rectangular, 2076	Material	Checking ¹⁾	²⁾	100 %	continuous
	Detailed dimensions	Testing	²⁾	3 %, ≥ 2 specimens	continuous
	Visual inspection ³⁾	Checking	²⁾	100 %	continuous
	Traceability	bulk			
QR plate 2074	Material	Checking ⁴⁾	²⁾	100 %	continuous
	Detailed dimensions	Testing	²⁾	3 %, ≥ 2 specimens	continuous
	Visual inspection ³⁾	Checking	²⁾	100 %	continuous
	Traceability	full			
Domed anchor nut 2001, Domed anchor nut with grout slots 2099, Coupler 3003, Coupler L 3303, Transition coupler 3004	Material	Checking ⁴⁾	²⁾	100 %	continuous
	Strength	Testing	²⁾	0.5 %, ≥ 2 specimens	continuous
	Detailed dimensions	Testing	²⁾	5 %, ≥ 2 specimens	continuous
	Visual inspection ³⁾	Checking	²⁾	100 %	continuous
	Traceability	full			
Threadbar, Plain bar	Material	Checking	^{2), 5)}	100 %	continuous
	Diameter	Testing	²⁾	1 sample	each bundle or every 7 tons ⁶⁾
	Visual inspection	Checking	²⁾	1 sample	
Rolled-on special thread of plain bar	Thread form ⁷⁾	Checking	²⁾	100 %	continuous
	Visual inspection ³⁾	Checking	²⁾	100 %	continuous
	Traceability	full			
Steel strip duct	Material	Checking ⁸⁾	²⁾	100 %	continuous
	Dimension	Testing	²⁾	3 %, ≥ 2 specimens	continuous
	Traceability	full			
Cement, Admixtures, Additions of filling materials as per EN 447	Material	Checking ⁸⁾	²⁾	100 %	continuous
	Traceability	full			

¹⁾ Checking by means of at least a test report 2.2 according to EN 10204.

²⁾ Conformity with the specifications of the component

³⁾ Successful visual inspection does not need to be documented.

⁴⁾ Checking by means of an inspection report 3.1 according to EN 10204.

⁵⁾ Checking of relevant certificate as long as the basis of "CE"-marking is not available.

⁶⁾ Maximum between a bundle and 7 tons is taken into account

⁷⁾ Dimensions of the rolled-on thread of the plain bar.

⁸⁾ Checking of relevant certificate, CE marking and declaration of performance or, if basis for CE marking is not available, certificate of supplier

Traceability full Full traceability of each component to its raw material.

bulk Traceability of each delivery of components to a defined point.

Material Defined according to technical specification deposited by the supplier

Detailed dimension Measuring of all dimensions and angles according to the specification given in the test plan

Visual inspection Main dimensions, correct marking and labelling, surface, corrosion, coating, etc.

Strength Determination of strength by means of hardness tests or similar



DYWIDAG-Systems
International GmbH

www.dywidag-systems.com


DYWIDAG-PT bar tendon
Bonded, unbonded, and external bar tendon
Contents of the prescribed test plan

Annex 45
of European Technical Assessment
ETA-05/0123 of 27.06.2018

Subject / type of control		Test or control method	Criteria, if any	Minimum number of samples ¹⁾	Minimum frequency of control
Solid plate, square 2011, Solid plate, rectangular 2012, Solid plate, small rectangular 2076, QR plate 2074	Material	Checking and testing, hardness and chemical ²⁾	³⁾	1	1/year
	Detailed dimensions	Testing	³⁾	1	1/year
	Visual inspection	Checking	³⁾	1	1/year
Coupler 3003, Coupler L 3303, Transition coupler 3004, Domed anchor nut 2001, Domed anchor nut with grout slots 2099	Material	Checking and testing, hardness and chemical ²⁾	³⁾	2	1/year
	Strength	Testing	³⁾	2	1/year
	Detailed dimensions	Testing	³⁾	1	1/year
	Main dimensions, surface hardness	Testing	³⁾	5	1/year
	Visual inspection	Checking	³⁾	5	1/year
Rolled-on special thread of plain bar	Material	Checking ⁴⁾	³⁾	2	1/year
	Visual inspection	Checking ⁵⁾	³⁾	2	1/year
Single tensile element test		According to EAD 160004-00-0301, Annex C.7		3	1/year

- 1) If the kits comprise different kinds of anchor heads e.g. with different materials, different shape, different nut, etc., then the number of samples is understood as per kind.
- 2) Testing of hardness and checking of chemical composition by means of an inspection report 3.1 according to EN 10204.
- 3) Conformity with the specifications of the component
- 4) Checking by means of an inspection report 3.1 according to EN 10204.
- 5) Main dimensions of thread, gauge testing, surface, smoothness, corrosion, notches.

Material	Defined according to technical specification deposited by the ETA holder at the Notified body
Detailed dimension	Measuring of all the dimensions and angles according to the specification given in the test plan
Visual inspection	Main dimensions, correct marking and labelling, surface, corrosion, coating, etc.
Treatment, hardness	Surface hardness, core hardness and treatment depth
Strength	Determination of strength by means of hardness tests or similar

 <p>DYWIDAG-Systems International GmbH www.dywidag-systems.com</p>	<p align="center">DYWIDAG-PT bar tendon Bonded, unbonded, and external bar tendon Audit testing</p>	<p align="right">Annex 46 of European Technical Assessment ETA-05/0123 of 27.06.2018</p>
---	---	--

Essential characteristics for the intended uses of the PT system

№	Essential characteristic	Clause	Intended use Line № according to Clause 2.1, Table 3		
			1	2	3
1	Resistance to static load	3.2.1.1	+	+	+
2	Resistance to fatigue	3.2.1.2	+	+	+
3	Load transfer to the structure	3.2.1.3	+	+	+
4	Friction coefficient	3.2.1.4	+	+	+
5	Deviation, deflection (limits) for internal bonded and internal unbonded tendon	3.2.1.5	+	+	—
6	Deviation, deflection (limits) for external tendon	3.2.1.6	—	—	+
7	Assessment of assembly	3.2.1.7	+	+	+
8	Corrosion protection	3.2.1.8	+	+	+
9	Reaction to fire	3.2.2.1	+	+	+
10	Content, emission and/or release of dangerous substances	3.2.3.1	+	+	+

Key

- +Essential characteristic relevant for the intended use
-Essential characteristic not relevant for the intended use

For combinations of intended uses, the essential characteristics of all intended uses composing the combinations are relevant.



DYWIDAG-Systems
International GmbH
www.dywidag-systems.com

DYWIDAG-PT bar tendon
Bonded, unbonded, and external bar tendon
Essential characteristics for the intended uses
of the PT system

Annex 47
of European Technical Assessment
ETA-05/0123 of 27.06.2018

Reference documents

European Assessment Document

EAD 160004-00-0301	Post-Tensioning Kits for Prestressing of Structures
EAD 160027-00-0301	Special filling products for post-tensioning kits

Eurocodes

Eurocode 2	Eurocode 2 – Design of concrete structures
Eurocode 3	Eurocode 3 – Design of steel structures
Eurocode 5	Eurocode 5 – Design of timber structures
Eurocode 6	Eurocode 6 – Design of masonry structures

Standards

EN 206+A1, 11.2016	Concrete – Specification, performance, production and conformity
EN 446, 10.2007	Grout for prestressing tendons – Grouting procedures
EN 447, 10.2007	Grout for prestressing tendons – Basic requirements
EN 523, 08.2003	Steel strip sheaths for prestressing tendons – Terminology, requirements, quality control
EN 10025-2, 11.2004	Hot rolled products of structural steels – Part 2: Technical delivery conditions for non-alloy structural steels
EN 10083-2, 08.2006	Steels for quenching and tempering – Part 2: Technical delivery conditions for non alloy steels
EN 10130, 12.2006	Cold-rolled low carbon steel flat products for cold forming – Technical delivery conditions
EN 10139, 02.2016	Cold rolled uncoated low carbon steel narrow strip for cold forming – Technical delivery conditions
EN 10204, 10.2004	Metallic products – Types of inspection documents
EN 10216, 12.2013	Seamless steel tubes for pressure purposes – Technical delivery conditions – Part 1: Non-alloy steel tubes with specified room temperature properties
EN 10217, 05.2002, +A1, 01.2005	Welded steel tubes for pressure purposes – Technical delivery conditions – Part 1: Non-alloy steel tubes with specified room temperature properties
EN 10293, 01.2015	Steel castings – Steel castings for general engineering uses
EN 10305, 03.2016	Steel tubes for precision applications – Technical delivery conditions – Part 1: Seamless cold drawn tubes
EN 12201-1, 09.2011	Plastics piping systems for water supply, and for drainage and sewerage under pressure – Polyethylene (PE) – Part 1: General



DYWIDAG-Systems
International GmbH
www.dywidag-systems.com

DYWIDAG-PT bar tendon
Bonded, unbonded, and external bar tendon
Reference documents

Annex 48
of European Technical Assessment
ETA-05/0123 of 27.06.2018

- EN ISO 12944-4, 12.2017 Paints and varnishes – Corrosion protection of steel structures by protective paint systems – Part 4: Types of surface and surface preparation
- EN ISO 12944-5, 03.2018 Paints and varnishes – Corrosion protection of steel structures by protective paint systems – Part 5: Protective paint systems
- EN ISO 12944-7, 12.2017 Paints and varnishes – Corrosion protection of steel structures by protective paint systems – Part 7: Execution and supervision of paint work
- EN ISO 17855-1, 10.2014 Plastics – Polyethylene (PE) moulding and extrusion materials – Part 1: Designation system and basis for specifications
- prEN 10138-4, 08.2009 Prestressing steels – Part 4: Bars
- CWA 14646, 01.2003 Requirements for the installation of post-tensioning kits for prestressing of structures and qualification of the specialist company and its personnel

Other documents

- 98/456/EC Commission decision 98/456/EC of 3 July 1998 on the procedure for attesting the conformity of construction products pursuant to Article 20 (2) of Council Directive 89/106/EEC as regards posttensioning kits for the prestressing of structures, Official Journal of the European Communities L 201 of 17 July 1998, p. 112
- 305/2011 Regulation (EU) № 305/2011 of the European Parliament and of the Council of 9 March 2011 laying down harmonised conditions for the marketing of construction products and repealing Council Directive 89/106/EEC, OJ L 88 of 4 April 2011, p. 5, amended by Commission Delegated Regulation (EU) № 568/2014 of 18 February 2014, OJ L 157 of 27.05.2014, p. 76 and Commission Delegated Regulation (EU) № 574/2014 of 21 February 2014, OJ L 159 of 28.05.2014, p. 41
- 568/2014 Commission Delegated Regulation (EU) № 568/2014 of 18 February 2014 amending Annex V to Regulation (EU) № 305/2011 of the European Parliament and of the Council as regards the assessment and verification of constancy of performance of construction products, OJ L 157 of 27.05.2014, p. 76



DYWIDAG-Systems
 International GmbH
 www.dywidag-systems.com

DYWIDAG-PT bar tendon
Bonded, unbonded, and external bar tendon
 Reference documents

Annex 49
 of European Technical Assessment
ETA-05/0123 of 27.06.2018

Belgium and Luxembourg

DYWIDAG-Systems International N.V.
Philipssite 5, bus 15
Ubicenter, 3001 Leuven, Belgium
Phone +32-16-60 77 60
Fax +32-16-60 77 66
E-mail info.be@dywidag-systems.com
www.dywidag-systems.com/emea

France

DSI-Artéon SAS
Rue de la Craz
Z.I. des Chartinières
01120 Dagneux, France
Phone +33-4-78 79 27 82
Fax +33-4-78 79 01 56
E-mail dsi.france@dywidag.fr
www.dywidag-systems.fr

Germany

DYWIDAG-Systems International GmbH
Germanenstrasse 8
86343 Koenigsbrunn, Germany
Phone +49-8231-96 07 0
Fax +49-8231-96 07 10
E-mail suspa@dywidag-systems.com
www.dywidag-systems.de

DYWIDAG-Systems International GmbH
Max-Planck-Ring 1
40764 Langenfeld, Germany
Phone +49-2173-79 02 0
Fax +49-2173-79 02 20
E-mail suspa@dywidag-systems.com
www.dywidag-systems.de

DYWIDAG-Systems International GmbH
Schuetzenstrasse 20
14641 Nauen, Germany
Phone +49-3321-44 18 0
Fax +49-3321-44 18 38
E-mail suspa@dywidag-systems.com
www.dywidag-systems.de

DYWIDAG-Systems International GmbH
Neuhofweg 5
85716 Unterschleissheim, Germany
Phone +49-89-30 90 50 100
Fax +49-89-30 90 50 120
E-mail dsihv@dywidag-systems.com
www.dywidag-systems.com/emea

Italy

DYWIT S.P.A.
Viale Europa 72 Strada A 7/9
20090 Cusago (MI), Italy
Phone +39-02-901 65 71
Fax +39-02-901 65 73 01
E-mail info@dywit.it
www.dywit.it

Netherlands

DYWIDAG-Systems International B.V.
Veilingweg 2
5301 KM Zaltbommel, Netherlands
Phone +31-418-57 89 22
Fax +31-418-51 30 12
E-mail email.nl@dywidag-systems.com
www.dywidag-systems.nl

Poland

DYWIDAG-Systems International Sp. z o.o.
ul. Bojowników o Wolność i Demokrację 38/121
41-506 Chorzów, Poland
Phone +48-32-241 09 98
Fax +48-32-241 09 28
E-mail dsi-polska@dywidag-systems.com
www.dywidag-systems.pl

Spain

DYWIDAG Sistemas Constructivos, S.A.
Avd/de la Industria, 4
Pol. Ind. la Cantuena
28947 Fuenlabrada (Madrid), Spain
Phone +34-91-642 20 72
Fax +34-91-642 27 10
E-mail dywidag@dywidag-sistemas.com
www.dywidag-sistemas.com

United Kingdom

DYWIDAG-Systems International Ltd.
Northfield Road
Southam, Warwickshire
CV47 0FG, Great Britain
Phone +44-1926-81 39 80
Fax +44-1926-81 38 17
E-mail sales@dywidag.co.uk
www.dywidag.co.uk

AUSTRIA
ARGENTINA
AUSTRALIA
BELGIUM
BOSNIA AND HERZEGOVINA
BRAZIL
CANADA
CHILE
COLOMBIA
COSTA RICA
CROATIA
CZECH REPUBLIC
DENMARK
EGYPT
ESTONIA
FINLAND
FRANCE
GERMANY
GREECE
GUATEMALA
HONDURAS
HONG KONG
INDONESIA
ITALY
JAPAN
KOREA
LEBANON
LUXEMBOURG
MALAYSIA
MEXICO
NETHERLANDS
NORWAY
OMAN
PANAMA
PARAGUAY
PERU
POLAND
PORTUGAL
QATAR
SAUDI ARABIA
SINGAPORE
SOUTH AFRICA
SPAIN
SWEDEN
SWITZERLAND
TAIWAN
THAILAND
TURKEY
UNITED ARAB EMIRATES
UNITED KINGDOM
URUGUAY
USA
VENEZUELA